



TERMS OF SALE: All prices are FOB White Plains, NY. (Freight is additional). Terms are net 30 days for qualified accounts. All orders under \$25 are subject to a \$2.50 service charge. All sales are final. We do not accept returns on any products for refund or credit.

CANCELLATIONS: All badges are made to order. We cannot accept cancellations or changes once orders are received.

ATTACHMENTS: Badges are furnished with your choice of pin & safety catch, screw back or wallet clip.

FONT STYLE: Block font is standard on all badges. Roman font is available upon request.

LETTERING ENAMEL: Unless otherwise specified Nickel, Rhodium, SIL-RAY and Silver Panel Two-Tone badges are supplied with Black enamel fill and all Gold, GOL-RAY and Gold Panel Two-Tone badges are supplied with Blue enamel fill.

CUSTOM SEAL PROGRAM: Free Custom Seal Die with order of 25 or more identical model badges.

STANDARD FINISHES include **NICKEL, RHODIUM and GOLD** Electroplating. The badge prices include plain seal (no enamel color) and standard (soft) enamel lettering. Color seals and Hard-Fired lettering are available at additional cost.

DELUXE FINISHES include **COTE D'OR, SIL-RAY, GOL-RAY and TWO-TONE**. All Deluxe Finish badge prices include Hard Enamel lettering and Multi color seals.

BASIC BADGE OPTIONS:	STANDARD FINISHES	DELUXE FINISHES
P , Plain Seal (no color enamel)	No Charge – Included	No Charge-Included
E , One Color* Enamel Seal *Rim or Background	Add \$3.50	No Charge-Included
M , Multi Color Enamel Seal	Add \$5.00	No Charge-Included
C , Custom Seal	Add \$5.00	No Charge-Included
Hard Enamel Lettering	Add \$10.00	No Charge-Included

ADDITIONAL AVAILABLE OPTIONS FOR Standard and Deluxe BADGES

Soldered Nos. (up to 3) in Badge Center	\$6.00
Soldered Nos. on a Disc	\$11.00
Soldered Nos. w/ Enamel Background	\$12.00
Stars Soldered (Same plating)	\$4.00 each
Stars Soldered (Contrast plating)	\$7.00 each
Solid Back	\$10.00
Hard Enamel Lettering	\$10.00
Engraving on back of badge	\$1.20/letter
Engrave center of the badge or center disc	\$10.00
Numbers on Semi Stock Badges	\$6.00
Extra Tab	\$4.00
Extra Panel/Banner	\$8.00
Two Lines of Engraving on any panel	\$8.00
Center Seal plated different	\$6.00
Add Eagle or Beaver	\$8.00
Trim Eagle Off Badge	\$6.00
Enamel Panel (If Available)	\$7.00
Enamel Filled Badge Background	\$10.00
Better Back	\$1.00
Clutch Back	\$0.10 each
Screw Nut	\$0.10 each
Cradle Pin Only	\$2.00 each
C510 or C510L Added to Badge or Collar Brass	\$5.00
E4001 or C511T Added to Badge or Collar Brass	\$14.00
Loop Ring	\$5.00
Lug & Cradle Pin	\$5.00
Seal Added to Nameplate	\$5.00
Magnetic Attachment on Nameplates	\$4.00
Money Clip	\$5.00
Safety Catch on Nameplates & Collar Insignia	\$4.00
Tie Tack with Chain	\$1.00
Gold Filled or Sterling Silver	Call for Quote
Custom Badge Dies	Call for Quote
NEW Black Subdued Finish	Gold Pricing

BADGE CODING: SHELL BACK or SOLID BACK (See notes with each model)

Note 1: Shell Back Only - Cannot be struck solid

Note 2: Shell Back - Available struck solid at additional charge of \$10.00 per badge

Note 3: Solid Back Only - Cannot be supplied shell back

QUANTITY DISCOUNTS for BADGES:

These apply to orders for same model badges lettered alike except for titles and numbers.

1 to 15.....List Price 40 to 59..... 10% 100 and over..... 20%
 16 to 39..... 5% 60 to 99..... 15% Bids.....Call, fax or e-mail for quotation

All Prices are Subject to Change without Notice



MODEL NO	PG. NO. 85A	PG. NO. 85	NOTES	NICKEL	RHODIUM	GOLD	COTE D'OR *	TWO TONE *	SIL-RAY* or GOL-RAY *	MODEL NO	PG. NO. 85A	PG. NO. 85	NOTES	NICKEL	RHODIUM	GOLD	COTE D'OR *	TWO TONE *	SIL-RAY* or GOL-RAY *
----------	-------------	------------	-------	--------	---------	------	-------------	------------	-----------------------	----------	-------------	------------	-------	--------	---------	------	-------------	------------	-----------------------

AC2P	59	59	4	21.00	23.00	24.00	51.50	46.50	42.50
AC2T	59	59	4	16.50	18.50	19.50	36.50	41.50	24.00
AC3F	59	59		15.50	17.50	17.50	25.00		21.00
AC10	51	51		14.50	16.50	17.50	28.00		24.00
AC13	59	59	4	16.50	18.50	19.50	36.50	41.50	24.00
AC14	59	59	4	16.50	18.50	19.50	36.50	41.50	24.00
AC17	X	X	4	19.00	21.00	22.00	49.50	44.50	40.50
BEAR	61	61	1	10.50	12.50	13.50	24.00		17.00
BUILD A BADGE	X	X	2	100.00	108.00	112.00	162.00	136.00	132.00
C100A	54	54		12.50	14.50	16.00	26.00		19.00
C100B	54	54		12.50	14.50	16.00	26.00		19.00
C100T	53	53		12.50	14.50	16.00	26.00		19.00
C100TL	X	X		17.50	19.50	21.00	35.50	49.50	25.00
C100XL	53	53		17.50	19.50	21.00	35.50	49.50	25.00
C100XT	53	53		12.50	14.50	16.00	26.00		19.00
C101	52	52		17.50	19.50	21.00	35.50	49.50	25.00
C102	52	52		17.50	19.50	21.00	35.50	49.50	25.00
C103	52	52		17.50	19.50	21.00	35.50	49.50	25.00
C104	52	52		17.50	19.50	21.00	35.50	49.50	25.00
C105	52	52		17.50	19.50	21.00	35.50	49.50	25.00
C106	52	52		17.50	19.50	21.00	35.50	49.50	25.00
C107	52	52		17.50	19.50	21.00	35.50	49.50	25.00
C107T	53	53		12.50	14.50	16.00	26.00		19.00
C108	52	52		17.50	19.50	21.00	35.50	49.50	25.00
C108A	52	52		17.50	19.50	21.00	35.50	49.50	25.00
C108T	53	53		12.50	14.50	16.00	26.00		19.00
C109	52	52		17.50	19.50	21.00	35.50	49.50	25.00
C110	52	52		17.50	19.50	21.00	35.50	49.50	25.00
C110E	51	51		27.50	30.50	32.50	43.50		38.50
C111	52	52		17.50	19.50	21.00	35.50	49.50	25.00
C112	51	51		17.50	19.50	21.00	35.50	49.50	25.00
C113	52	52		17.50	19.50	21.00	35.50	49.50	25.00
C113A	52	52		17.50	19.50	21.00	35.50	49.50	25.00
C113T	53	53		12.50	14.50	16.00	26.00		19.00
C114	51	51		17.50	19.50	21.00	35.50	49.50	25.00
C115L	53	53		17.50	19.50	21.00	35.50	49.50	25.00
C115S	53	53		12.50	14.50	16.00	26.00		19.00
C115XL	53	53		21.00	23.00	24.00	51.50	46.50	42.50
C116L	53	53		17.50	19.50	21.00	35.50	49.50	25.00
C116S	53	53		12.50	14.50	16.00	26.00	0.00	19.00
C116XL	53	53		21.00	23.00	24.00	51.50	46.50	42.50
C117	52	52		17.50	19.50	21.00	35.50	49.50	25.00
C118L	53	53		17.50	19.50	21.00	35.50	49.50	25.00
C118S	53	53		12.50	14.50	16.00	26.00		19.00
C118XL	53	53		21.00	23.00	24.00	51.50	46.50	42.50
C119L	53	53		17.50	19.50	21.00	35.50	49.50	25.00
C119S	53	53		12.50	14.50	16.00	26.00		19.00
C119XL	53	53		21.00	23.00	24.00	51.50	46.50	42.50
C120	53	53	4	21.00	23.00	24.00	51.50	46.50	42.50
C121L	53	53		17.50	19.50	21.00	35.50	49.50	25.00
C121S	53	53		12.50	14.50	16.00	26.00		19.00
C121XL	53	53		21.00	23.00	24.00	51.50	46.50	42.50
C122L	53	53		17.50	19.50	21.00	35.50	49.50	25.00
C122S	53	53		12.50	14.50	16.00	26.00		19.00

C122XL	53	53		21.00	23.00	24.00	51.50	46.50	42.50
C123	53	53	4	21.00	23.00	24.00	51.50	46.50	42.50
C124	53	53	4	21.00	23.00	24.00	51.50	46.50	42.50
C125BK	57	57		12.50	14.50	16.00	26.00		19.00
C125E	57	57		12.50	14.50	16.00	26.00		19.00
C125F	57	57		13.50	15.50	17.00	27.00		20.50
C125M	57	57		13.50	15.50	17.00	27.00		20.50
C125P	57	57		10.50	12.50	13.50	24.00		17.00
C126E	57	57		12.50	14.50	16.00	26.00		19.00
C126P	57	57		10.50	12.50	13.50	24.00		17.00
C127AB	56	56		12.50	14.50	16.00	26.00		19.00
C127AP	56	56		10.50	12.50	13.50	24.00		17.00
C127E	56	56		12.50	14.50	16.00	26.00		19.00
C127M	58	58		13.50	15.50	17.00	27.00		20.50
C127P	56	56		10.50	12.50	13.50	24.00		17.00
C128	54	54		13.50	15.50	17.00	27.00		20.50
C129	56	56		12.50	14.50	16.00	26.00		19.00
C130	54	54		12.50	14.50	16.00	26.00		19.00
C131	56	56		12.50	14.50	16.00	26.00		19.00
C132	56	56		13.50	15.50	17.00	27.00		20.50
C133	56	56		13.50	15.50	17.00	27.00		20.50
C134BK	57	57		12.50	14.50	16.00	26.00		19.00
C134E	57	57		12.50	14.50	16.00	26.00		19.00
C134P	57	57		10.50	12.50	13.50	24.00		17.00
C135	57	57		10.50	12.50	13.50	24.00		17.00
C135M	57	57		13.50	15.50	17.00	27.00		20.50
C136	57	57		12.50	14.50	16.00	26.00		19.00
C136BK	57	57		12.50	14.50	16.00	26.00		19.00
C137	54	54		13.50	15.50	17.00	27.00		20.50
C138	54	54		13.50	15.50	17.00	27.00		20.50
C138LM	51	51		27.50	30.50	32.50	43.50		38.50
C138PL	52	52		17.50	19.50	21.00	35.50	49.50	25.00
C139	54	54		12.50	14.50	16.00	26.00		19.00
C140	54	54		13.50	15.50	17.00	27.00		20.50
C141	54	54		13.50	15.50	17.00	27.00		20.50
C142	57	57		10.50	12.50	13.50	24.00		17.00
C143	X	X		13.50	15.50	17.00	27.00		20.50
C144	X	X		13.50	15.50	17.00	27.00		20.50
C145	X	X		10.50	12.50	13.50	24.00		17.00
C146	54	54		13.50	15.50	17.00	27.00		20.50
C146XLCO	53	53		17.50	19.50	21.00	35.50	49.50	25.00
C147	54	54		12.50	14.50	16.00	26.00		19.00
C147XLCO	53	53		17.50	19.50	21.00	35.50	49.50	25.00
C147XMCO	X			12.50	14.50	16.00	26.00		19.00
C148	X	X		12.50	14.50	16.00	26.00		19.00
C150	54	54		13.50	15.50	17.00	27.00		20.50
C151	57	57		12.50	14.50	16.00	26.00		19.00
C152	61	61		13.50	15.50	17.00	27.00		20.50
C153	54	54		10.50	12.50	13.50	24.00		17.00
C155	54	54		12.50	14.50	16.00	26.00		19.00
C157	X	X		13.50	15.50	17.00	27.00		20.50
C158	X	X		13.50	15.50	17.00	27.00		20.50
C159	54	54		13.50	15.50	17.00	27.00		20.50
C160	X	X		13.50	15.50	17.00	27.00		20.50

- NOTES: 1. SHELL BACK ONLY
 2. SHELL BACK, SOLID BACK AT ADDITIONAL COST
 3. SOLID BACK ONLY, NO ADDITIONAL COST
 4. NO EXTRA CHARGE FOR COLOR SEAL

* - DELUXE FINISHES
 X - NOT PICTURED

(914) 948-4619
 www.smithwarren.com



MODEL NO	PG. NO. 85A	PG. NO. 85	NOTES	NICKEL	RHODIUM	GOLD	COTE D'OR *	TWO TONE *	SIL-RAY* or GOL-RAY *	MODEL NO	PG. NO. 85A	PG. NO. 85	NOTES	NICKEL	RHODIUM	GOLD	COTE D'OR *	TWO TONE *	SIL-RAY* or GOL-RAY *
----------	-------------	------------	-------	--------	---------	------	-------------	------------	-----------------------	----------	-------------	------------	-------	--------	---------	------	-------------	------------	-----------------------

C161	X	X			13.50	15.50	17.00	27.00		20.50
C162	54	54			13.50	15.50	17.00	27.00		20.50
C162B	54	54			13.50	15.50	17.00	27.00		20.50
C168	55	55			10.50	12.50	13.50	24.00		17.00
C168A	55	55			10.50	12.50	13.50	24.00		17.00
C169AB	55	55			12.50	14.50	16.00	26.00		19.00
C169AR	55	55			12.50	14.50	16.00	26.00		19.00
C169B	55	55			12.50	14.50	16.00	26.00		19.00
C169R	55	55			12.50	14.50	16.00	26.00		19.00
C170	55	55			10.50	12.50	13.50	24.00		17.00
C170A	54	54	3		10.50	12.50	13.50	24.00		17.00
C171B	55	55			12.50	14.50	16.00	26.00		19.00
C171R	55	55			12.50	14.50	16.00	26.00		19.00
C172	54	54			13.50	15.50	17.00	27.00		20.50
C174	55	55			10.50	12.50	13.50	24.00		17.00
C174T	51	51			10.50	12.50	13.50	24.00		17.00
C175B	55	55			12.50	14.50	16.00	26.00		19.00
C175R	55	55			12.50	14.50	16.00	26.00		19.00
C176	55	55			10.50	12.50	13.50	24.00		17.00
C176T	51	51			10.50	12.50	13.50	24.00		17.00
C177B	55	55			12.50	14.50	16.00	26.00		19.00
C177R	55	55			12.50	14.50	16.00	26.00		19.00
C178	X	X			13.50	15.50	17.00	27.00		20.50
C179B	55	55			12.50	14.50	16.00	26.00		19.00
C179P	55	55			10.50	12.50	13.50	24.00		17.00
C179R	55	55			12.50	14.50	16.00	26.00		19.00
C180	55	55			10.50	12.50	13.50	24.00		17.00
C180T	51	51			10.50	12.50	13.50	24.00		17.00
C181B	55	55			12.50	14.50	16.00	26.00		19.00
C181R	55	55			12.50	14.50	16.00	26.00		19.00
C182	55	55			10.50	12.50	13.50	24.00		17.00
C182T	51	51			10.50	12.50	13.50	24.00		17.00
C183B	55	55			12.50	14.50	16.00	26.00		19.00
C183R	55	55			12.50	14.50	16.00	26.00		19.00
C184	54	54			10.50	12.50	13.50	24.00		17.00
C185	54	54			10.50	12.50	13.50	24.00		17.00
C186	55	55			10.50	12.50	13.50	24.00		17.00
C186T	51	51			10.50	12.50	13.50	24.00		17.00
C187B	55	55			12.50	14.50	16.00	26.00		19.00
C187R	55	55			12.50	14.50	16.00	26.00		19.00
C188	55	55			10.50	12.50	13.50	24.00		17.00
C188T	51	51			10.50	12.50	13.50	24.00		17.00
C189B	55	55			12.50	14.50	16.00	26.00		19.00
C189R	55	55			12.50	14.50	16.00	26.00		19.00
C190	55	55			10.50	12.50	13.50	24.00		17.00
C191B	55	55			12.50	14.50	16.00	26.00		19.00
C191R	55	55			12.50	14.50	16.00	26.00		19.00
C192	55	55			10.50	12.50	13.50	24.00		17.00
C192L	52	52			17.50	19.50	21.00	35.50	49.50	25.00
C193B	55	55			12.50	14.50	16.00	26.00		19.00
C193R	55	55			12.50	14.50	16.00	26.00		19.00
C194	55	55			10.50	12.50	13.50	24.00		17.00
C194L	X	X			17.50	19.50	21.00	35.50	49.50	25.00
C195B	55	55			12.50	14.50	16.00	26.00		19.00

C195R	55	55			12.50	14.50	16.00	26.00		19.00
C196	55	55			10.50	12.50	13.50	24.00		17.00
C197B	55	55			12.50	14.50	16.00	26.00		19.00
C197R	55	55			12.50	14.50	16.00	26.00		19.00
C198	X	X			9.50	9.50	9.50	26.00		19.00
C200	54	54			12.50	14.50	16.00	26.00		19.00
C201	53	53			9.50	9.50	9.50	26.00		19.00
C203	53	53			9.50	9.50	9.50	26.00		19.00
C204	X	X			9.50	9.50	9.50	26.00		19.00
C205	X	X			9.50	9.50	9.50	26.00		19.00
C250	56	56			12.50	14.50	16.00	26.00		19.00
C252	57	57			13.50	15.50	17.00	27.00		20.50
C254	56	56			13.50	15.50	17.00	27.00		20.50
C256	54	54			10.50	12.50	13.50	24.00		17.00
C256L	52	52			17.50	19.50	21.00	35.50	49.50	25.00
C257	54	54			13.50	15.50	17.00	27.00		20.50
C258	54	54			13.50	15.50	17.00	27.00		20.50
C260	54	54			12.50	14.50	16.00	26.00		19.00
C261	54	54			13.50	15.50	17.00	27.00		20.50
C262	57	57			13.50	15.50	17.00	27.00		20.50
C500AP	X	X			8.00	8.50	9.00	25.00		19.00
C500HP	X	X			8.00	8.50	9.00	25.00		19.00
C500PA	X	X			8.00	8.50	9.00	25.00		19.00
C502 TITLES	65	65	1		10.00	10.50	11.50	28.00		21.00
C503	59	59	4		19.00	21.00	22.00	49.50	44.50	40.50
C504	59	59	4		16.50	18.50	19.50	36.50	41.50	24.00
C505	59	59	4		19.00	21.00	22.00	49.50	44.50	40.50
C506	65	65			9.50	9.50	9.50	26.00		19.00
C507	65	65			13.50	15.50	17.00	27.00		20.50
C508	59	59	4		19.00	21.00	22.00	49.50	44.50	40.50
C509	59	59	4		19.00	21.00	22.00	49.50	44.50	40.50
C509A	59	59	4		19.00	21.00	22.00	49.50	44.50	40.50
C510	59	59	4		16.50	18.50	19.50	36.50	41.50	24.00
C510A	59	59	4		19.00	21.00	22.00	49.50	44.50	40.50
C510L	59	59	4		16.50	18.50	19.50	36.50	41.50	24.00
C511	61	61			14.50	16.50	17.50	28.00		24.00
C511A	61	61			14.50	16.50	17.50	28.00		24.00
C511AT	59	59	4		17.50	19.50	21.00	35.50	49.50	25.00
C511B	61	61			14.50	16.50	17.50	28.00		24.00
C511C	X		3		14.50	16.50	17.50	28.00		24.00
C511T	59	59	4		21.00	23.00	24.00	51.50	46.50	42.50
C512	61	61			19.00	21.00	22.00	49.50	44.50	40.50
C512A	X				19.00	21.00	22.00	49.50	44.50	40.50
C515	65	65			9.50	9.50	9.50	26.00		19.00
C516E	65	65			9.50	9.50	9.50	26.00		19.00
C516P	65	65			9.50	9.50	9.50	26.00		19.00
C517F	62	62			12.00	12.00	12.00	28.00		21.50
C517F_2	62	62			14.50	14.50	14.50	30.00		23.50
C517F_3	62	62			16.50	16.50	16.50	32.00		25.00
C517F_4	62	62			18.00	18.00	18.00	33.00		26.00
C517F_5	62	62			19.00	19.00	19.00	34.00		27.00
C517S	62	62			12.00	12.00	12.00	28.00		21.50
C517S_2	62	62			14.50	14.50	14.50	30.00		23.50
C517S_3	62	62			16.50	16.50	16.50	32.00		25.00

NOTES: 1. SHELL BACK ONLY
2. SHELL BACK, SOLID BACK AT ADDITIONAL COST
3. SOLID BACK ONLY, NO ADDITIONAL COST
4. NO EXTRA CHARGE FOR COLOR SEAL

* - DELUXE FINISHES
X - NOT PICTURED

(914) 948-4619
www.smithwarren.com



MODEL NO	PG. NO. 85A	PG. NO. 85	NOTES	NICKEL	RHODIUM	GOLD	COTE D'OR *	TWO TONE *	SIL-RAY* or GOL-RAY *	MODEL NO	PG. NO. 85A	PG. NO. 85	NOTES	NICKEL	RHODIUM	GOLD	COTE D'OR *	TWO TONE *	SIL-RAY* or GOL-RAY *
----------	-------------	------------	-------	--------	---------	------	-------------	------------	-----------------------	----------	-------------	------------	-------	--------	---------	------	-------------	------------	-----------------------

C517S_4	62	62			18.00	18.00	18.00	33.00	26.00
C517S_5	62	62			19.00	19.00	19.00	34.00	27.00
C518F	62	62			12.00	12.00	12.00	28.00	21.50
C518F_2	62	62			14.50	14.50	14.50	30.00	23.50
C518F_3	62	62			16.50	16.50	16.50	32.00	25.00
C518F_4	62	62			18.00	18.00	18.00	33.00	26.00
C518F_5	62	62			19.00	19.00	19.00	34.00	27.00
C518S	62	62			12.00	12.00	12.00	28.00	21.50
C518S_2	62	62			14.50	14.50	14.50	30.00	23.50
C518S_3	62	62			16.50	16.50	16.50	32.00	25.00
C518S_4	62	62			18.00	18.00	18.00	33.00	26.00
C518S_5	62	62			19.00	19.00	19.00	34.00	27.00
C519F	62	62			12.00	12.00	12.00	28.00	21.50
C519F_2	62	62			14.50	14.50	14.50	30.00	23.50
C519F_3	62	62			16.50	16.50	16.50	32.00	25.00
C519F_4	62	62			18.00	18.00	18.00	33.00	26.00
C519F_5	62	62			19.00	19.00	19.00	34.00	27.00
C519S	62	62			12.00	12.00	12.00	28.00	21.50
C519S_2	62	62			14.50	14.50	14.50	30.00	23.50
C519S_3	62	62			16.50	16.50	16.50	32.00	25.00
C519S_4	62	62			18.00	18.00	18.00	33.00	26.00
C519S_5	62	62			19.00	19.00	19.00	34.00	27.00
C520F	62	62			12.00	12.00	12.00	28.00	21.50
C520F_2	62	62			14.50	14.50	14.50	30.00	23.50
C520F_3	62	62			16.50	16.50	16.50	32.00	25.00
C520F_4	62	62			18.00	18.00	18.00	33.00	26.00
C520F_5	62	62			19.00	19.00	19.00	34.00	27.00
C520S	62	62			12.00	12.00	12.00	28.00	21.50
C520S_2	62	62			14.50	14.50	14.50	30.00	23.50
C520S_3	62	62			16.50	16.50	16.50	32.00	25.00
C520S_4	62	62			18.00	18.00	18.00	33.00	26.00
C520S_5	62	62			19.00	19.00	19.00	34.00	27.00
C521S	62	62			12.00	12.00	12.00	28.00	21.50
C521S_2	62	62			14.50	14.50	14.50	30.00	23.50
C521S_3	62	62			16.50	16.50	16.50	32.00	25.00
C521S_4	62	62			18.00	18.00	18.00	33.00	26.00
C521S_5	62	62			19.00	19.00	19.00	34.00	27.00
C522 (pr)	62				9.50	9.50	9.50	26.00	19.00
C523 (pr)	62				9.50	9.50	9.50	26.00	19.00
C524	56	56			9.50	9.50	9.50	26.00	19.00
C526E	65	65			9.50	9.50	9.50	26.00	19.00
C526P	65	65			9.50	9.50	9.50	26.00	19.00
C530 (pr)	62				12.00	12.00	12.00	28.00	21.50
C532 (pr)	62				12.00	12.00	12.00	28.00	21.50
C534 (pr)	62				9.50	9.50	9.50	26.00	19.00
C536 (pr)	62				9.50	9.50	9.50	26.00	19.00
C538 (pr)	62				9.50	9.50	9.50	26.00	19.00
C540 (pr)	62				9.50	9.50	9.50	26.00	19.00
C542 (pr)	62				9.50	9.50	9.50	26.00	19.00
C542A (pr)	62				9.50	9.50	9.50	26.00	19.00
C544 (pr)	62				9.50	9.50	9.50	26.00	19.00
C544A (pr)	62				9.50	9.50	9.50	26.00	19.00
C544B (pr)	62				9.50	9.50	9.50	26.00	19.00
C546 (pr)	62				9.50	9.50	9.50	26.00	19.00

C548 (pr)	62				9.50	9.50	9.50	26.00	19.00	
C550 (pr)	62				9.50	9.50	9.50	26.00	19.00	
C552 (pr)	62				9.50	9.50	9.50	26.00	19.00	
C556	63	63			9.50	9.50	9.50	26.00	19.00	
C556E	X	X			14.50	16.50	16.50	23.00	20.00	
C558	61	61			14.50	16.50	17.50	28.00	24.00	
C558A	61	61			14.50	16.50	17.50	28.00	24.00	
C558AS	X				14.50	16.50	17.50	28.00	24.00	
C558B	X				14.50	16.50	17.50	28.00	24.00	
C558C	X		3		14.50	16.50	17.50	28.00	24.00	
C558CS	X				14.50	16.50	17.50	28.00	24.00	
C558S	X				14.50	16.50	17.50	28.00	24.00	
C562	63	63			9.50	9.50	9.50	26.00	19.00	
C562E	X	X			14.50	16.50	16.50	23.00	20.00	
C564	63	63			9.50	9.50	9.50	26.00	19.00	
C564E	X	X			14.50	16.50	16.50	23.00	20.00	
C566	63	63			9.50	9.50	9.50	26.00	19.00	
C566E	X	X			14.50	16.50	16.50	23.00	20.00	
C568	63	63			14.50	16.50	16.50	23.00	20.00	
C568E	X	X			16.50	16.50	16.50	32.00	25.00	
C570	63	63			9.50	9.50	9.50	26.00	19.00	
C570E	X	X			14.50	16.50	16.50	23.00	20.00	
C572	63	63			9.50	9.50	9.50	26.00	19.00	
C572E	X	X			14.50	16.50	16.50	23.00	20.00	
C574	63	63			9.50	9.50	9.50	26.00	19.00	
C574E	X	X			14.50	16.50	16.50	23.00	20.00	
C588	34	34			23.00	27.00	28.50	64.50	51.00	48.50
C590	51	51			21.00	23.00	24.00	51.50	46.50	42.50
C591SM	X				14.50	16.50	16.50	23.00	20.00	
C592	51	51			21.00	23.00	24.00	51.50	46.50	42.50
C594	56	56			16.50	18.50	19.50	36.50	41.50	24.00
C595	57	57			12.50	14.50	16.00	26.00	19.00	
C596	57	57			13.50	15.50	17.00	27.00	20.50	
C598	63	63			14.50	16.50	16.50	23.00	20.00	
C600	61	61			23.00	27.00	28.50	64.50	51.00	48.50
C600A	61	61			14.50	16.50	17.50	28.00	24.00	
C600AL	61	61			14.50	16.50	17.50	28.00	24.00	
C600B	61	61			14.50	16.50	17.50	28.00	24.00	
C600BL	61	X	3		14.50	16.50	17.50	28.00	24.00	
C600C	61	61			14.50	16.50	17.50	28.00	24.00	
C600L	61	61			26.00	29.00	30.50	67.00	54.50	49.50
C600MEM	X		3		23.00	27.00	28.50	64.50	51.00	48.50
C600S	X				23.00	27.00	28.50	64.50	51.00	48.50
C601	61	61	3		23.00	27.00	28.50	64.50	51.00	48.50
C602L	61	61	4		31.50	34.00	35.00	73.00	62.00	56.00
C602L_M1913	X				52.00	58.00	64.50	115.00	95.00	91.00
C602L_M1913A	X				52.00	58.00	64.50	115.00	95.00	91.00
C603	61	61	4		21.00	23.00	24.00	51.50	46.50	42.50
C603_M1913	X		1		43.00	48.00	51.00	92.00	78.00	73.50
C603_M1913A	61	61	1		43.00	48.00	51.00	92.00	78.00	73.50
C603_M1913C	X		3		43.00	48.00	51.00	92.00	78.00	73.50
C604	61	61			16.50	18.50	19.50	36.50	41.50	24.00
C604S	X				16.50	18.50	19.50	36.50	41.50	24.00
C605	59	59			21.00	23.00	24.00	51.50	46.50	42.50
C605A	59	59	4		19.00	21.00	22.00	49.50	44.50	40.50

NOTES: 1. SHELL BACK ONLY
2. SHELL BACK, SOLID BACK AT ADDITIONAL COST
3. SOLID BACK ONLY, NO ADDITIONAL COST
4. NO EXTRA CHARGE FOR COLOR SEAL

* - DELUXE FINISHES
X - NOT PICTURED

(914) 948-4619
www.smithwarren.com



MODEL NO	PG. NO. 85A	PG. NO. 85	NOTES	NICKEL	RHODIUM	GOLD	COTE D'OR *	TWO TONE *	SIL-RAY* or GOL-RAY *	MODEL NO	PG. NO. 85A	PG. NO. 85	NOTES	NICKEL	RHODIUM	GOLD	COTE D'OR *	TWO TONE *	SIL-RAY* or GOL-RAY *
----------	-------------	------------	-------	--------	---------	------	-------------	------------	-----------------------	----------	-------------	------------	-------	--------	---------	------	-------------	------------	-----------------------

C606	59	59	4	21.00	23.00	24.00	51.50	46.50	42.50
C607	60	60	4	19.00	21.00	22.00	49.50	44.50	40.50
C608	X			14.50	14.50	14.50	30.00		23.50
C610	60	60	4	19.00	21.00	22.00	49.50	44.50	40.50
C612	57	57		13.50	15.50	17.00	27.00		20.50
C613	57	57		10.50	12.50	13.50	24.00		17.00
C613M	57	57		13.50	15.50	17.00	27.00		20.50
C614	57	57		13.50	15.50	17.00	27.00		20.50
C615	57	57		13.50	15.50	17.00	27.00		20.50
C616	57	57		13.50	15.50	17.00	27.00		20.50
C617	59	59		9.50	9.50	9.50	26.00		19.00
C618	56	56		9.50	9.50	9.50	26.00		19.00
C618A	X	X		9.50	9.50	9.50	26.00		19.00
C619	X	X		12.00	12.00	12.00	28.00		21.50
C621	54	54		13.50	15.50	17.00	27.00		20.50
C622	54	54		13.50	15.50	17.00	27.00		20.50
C624	65	65		9.50	9.50	9.50	26.00		19.00
C624M	65	65		9.50	9.50	9.50	26.00		19.00
C625A	57	57		12.50	14.50	16.00	26.00		19.00
C625E	57	57		12.50	14.50	16.00	26.00		19.00
C626	X	X		13.50	15.50	17.00	27.00		20.50
C627	57	57		13.50	15.50	17.00	27.00		20.50
C628	57	57		9.50	9.50	9.50	26.00		19.00
C629	57	57		13.50	15.50	17.00	27.00		20.50
C630	57	57		13.50	15.50	17.00	27.00		20.50
C631	57	57		13.50	15.50	17.00	27.00		20.50
C631LA	34	34		13.50	15.50	17.00	27.00		20.50
C632	54	54		13.50	15.50	17.00	27.00		20.50
C633	54	54		13.50	15.50	17.00	27.00		20.50
C634	54	54		13.50	15.50	17.00	27.00		20.50
C635	57	57		12.50	14.50	16.00	26.00		19.00
C636	56	56		13.50	15.50	17.00	27.00		20.50
C637	56	56		13.50	15.50	17.00	27.00		20.50
C638	56	56		13.50	15.50	17.00	27.00		20.50
C639	61	61		9.50	9.50	9.50	26.00		19.00
C640	60	X		9.50	9.50	9.50	26.00		19.00
C640A (ea)	60			14.50	14.50	14.50	30.00		23.50
C640AB (pr)	60			26.00	27.50	27.50	48.00	43.50	32.00
C640B (ea)	60			14.50	14.50	14.50	30.00		23.50
C660	63	63		14.50	16.50	16.50	23.00		20.00
C660E	X	X		16.50	16.50	16.50	32.00		25.00
C704 (pr)	60			26.00	27.50	27.50	43.50	48.00	32.00
C705 (pr)	62			9.50	9.50	9.50	26.00		19.00
C705A (pr)	62			9.50	9.50	9.50	26.00		19.00
C705AE (pr)	62			14.50	16.50	16.50	23.00		20.00
C705B (pr)	62			9.50	9.50	9.50	26.00		19.00
C705BE (pr)	62			14.50	16.50	16.50	23.00		20.00
C705C	X			9.50	9.50	9.50	26.00		19.00
C705CE	X			14.50	16.50	16.50	23.00		20.00
C705E (pr)	62			14.50	16.50	16.50	23.00		20.00
C706	X			14.50	16.50	16.50	23.00		20.00
C707F SM	X			14.50	16.50	16.50	23.00		20.00
C708	65	65		9.50	9.50	9.50	26.00		19.00
C709A	X		3	14.50	16.50	16.50	23.00		20.00

C712	61	61		14.50	14.50	14.50	30.00		23.50
C712A	61	61		14.50	14.50	14.50	30.00		23.50
C713	X	X	1	9.50	9.50	9.50	26.00		19.00
C714	X			9.50	9.50	9.50	26.00		19.00
C715	X		3	14.50	16.50	16.50	23.00		20.00
C873	54	54		10.50	12.50	13.50	24.00		17.00
C873E	X			12.50	14.50	16.00	26.00		19.00
C873L	52	52		17.50	19.50	21.00	35.50	49.50	25.00
C888	57	57		13.50	15.50	17.00	27.00		20.50
C901	54	54		10.50	12.50	13.50	24.00		17.00
C902	X			12.50	14.50	16.00	26.00		19.00
C902C	X			10.50	12.50	13.50	24.00		17.00
C938	54	54		10.50	12.50	13.50	24.00		17.00
C939	X			10.50	12.50	13.50	24.00		17.00
C942	57	57		13.50	15.50	17.00	27.00		20.50
C943	X	X		10.50	12.50	13.50	24.00		17.00
C944	X	X		10.50	12.50	13.50	24.00		17.00
C945	57	57		13.50	15.50	17.00	27.00		20.50
C946	X	X		10.50	12.50	13.50	24.00		17.00
C947	X	X		10.50	12.50	13.50	24.00		17.00
C947CO	X			14.50	16.50	17.50	28.00		24.00
C948	X	X		10.50	12.50	13.50	24.00		17.00
C949	57	57		13.50	15.50	17.00	27.00		20.50
C950	36	36		13.50	15.50	17.00	27.00		20.50
C951	61	61		9.50	9.50	9.50	26.00		19.00
C952M	54	54		13.50	15.50	17.00	27.00		20.50
C952P	X	X		10.50	12.50	13.50	24.00		17.00
C960	57	57		13.50	15.50	17.00	27.00		20.50
C961	57	57		13.50	15.50	17.00	27.00		20.50
C962	57	57		13.50	15.50	17.00	27.00		20.50
C975	54	54		13.50	15.50	17.00	27.00		20.50
C980	57	57		13.50	15.50	17.00	27.00		20.50
C985	57	57		13.50	15.50	17.00	27.00		20.50
C986	54	54		13.50	15.50	17.00	27.00		20.50
C987	54	54		13.50	15.50	17.00	27.00		20.50
C988	57	57		13.50	15.50	17.00	27.00		20.50
C989	57	57		13.50	15.50	17.00	27.00		20.50
C990	57	57		13.50	15.50	17.00	27.00		20.50
C991	X	X	3	13.50	15.50	17.00	27.00		20.50
CAGSM	56	56		13.50	15.50	17.00	27.00		20.50
DCM	58	58		13.50	15.50	17.00	27.00		20.50
E106	24	24	3	35.00	35.00	35.00	63.00	57.00	55.00
E106A	26	26	3	59.00	65.00	72.50	121.00	103.00	95.50
E111	17	17	3	49.50	57.50	63.00	114.00	94.00	88.00
E117	44	44	3	52.00	58.00	64.50	115.00	95.00	91.00
E129	37	37	3	59.00	65.00	72.50	121.00	103.00	95.50
E129A	37	37	3	62.00	66.00	73.50	124.00	106.50	102.00
E129B	37	37	3	66.00	72.50	75.50	126.00	113.00	103.00
E129C	37	37	3	59.00	65.00	72.50	121.00	103.00	95.50
E199	19	19	3	66.00	72.50	75.50	126.00	113.00	103.00
E200	16	16	2	52.00	58.00	64.50	115.00	95.00	91.00
E203	X	X	3	59.00	65.00	72.50	121.00	103.00	95.50
E217	44	44	2	52.00	58.00	64.50	115.00	95.00	91.00
E225	39	39	2	52.00	58.00	64.50	115.00	95.00	91.00

NOTES: 1. SHELL BACK ONLY
 2. SHELL BACK, SOLID BACK AT ADDITIONAL COST
 3. SOLID BACK ONLY, NO ADDITIONAL COST
 4. NO EXTRA CHARGE FOR COLOR SEAL

* - DELUXE FINISHES
 X - NOT PICTURED

(914) 948-4619
 www.smithwarren.com



MODEL NO	PG. NO. 85A	PG. NO. 85	NOTES	NICKEL	RHODIUM	GOLD	COTE D'OR *	TWO TONE *	SIL-RAY* or GOL-RAY *	MODEL NO	PG. NO. 85A	PG. NO. 85	NOTES	NICKEL	RHODIUM	GOLD	COTE D'OR *	TWO TONE *	SIL-RAY* or GOL-RAY *
----------	-------------	------------	-------	--------	---------	------	-------------	------------	-----------------------	----------	-------------	------------	-------	--------	---------	------	-------------	------------	-----------------------

E254	X	X	4	30.50		33.00			
E288	19	19	3	59.00	65.00	72.50	121.00	103.00	95.50
E402 S80	23		3	62.00	66.00	73.50	124.00	106.50	102.00
E402FLA	24	24	3	62.00	66.00	73.50	124.00	106.50	102.00
E412	40	40	2	47.50	56.00	60.00	112.00	93.00	84.50
E435	X	X	3	66.00	72.50	75.50	126.00	113.00	103.00
E450	20	20	1	49.50	57.50	63.00	114.00	94.00	88.00
E451	20	20	1	47.50	56.00	60.00	112.00	93.00	84.50
E509	53	53		9.50	9.50	9.50	26.00		19.00
E510	53	53		8.50	8.50	8.50	25.00		17.00
E511	53	53		9.50	9.50	9.50	26.00		19.00
E512	62	62		12.00	12.00	12.00	28.00		21.50
E513	53	53		9.50	9.50	9.50	26.00		19.00
E514	X			9.50	9.50	9.50	26.00		19.00
E514B	X			9.50	9.50	9.50	26.00		19.00
E515	X			9.50	9.50	9.50	26.00		19.00
E516	X	X		14.50	16.50	16.50	23.00		20.00
E517	61	61		21.00	23.00	24.00	51.50	46.50	42.50
E520	62	62		21.00	23.00	24.00	51.50	46.50	42.50
E524	62	62		12.00	12.00	12.00	28.00		21.50
E525 (pr)	62			21.50	21.50	21.50	38.00		29.50
E526 (pr)	62			21.50	21.50	21.50	38.00		29.50
E527 (pr)	62			21.50	21.50	21.50	38.00		29.50
E528 (pr)	62			21.50	21.50	21.50	38.00		29.50
E2052	61	61		14.50	16.50	17.50	28.00		24.00
E3009	45	45	3	43.00	48.00	51.00	92.00	78.00	73.50
E3010	24	24	3	25.00	25.00	25.00	51.50	47.50	45.50
E3010A	24	24	3	43.50	44.50	46.50	70.00	65.00	63.00
E3010B	21	21	3	66.00	72.50	75.50	126.00	113.00	103.00
E4001	59	59	4	19.00	21.00	22.00	49.50	44.50	40.50
E4001A	X		4	19.00	21.00	22.00	49.50	44.50	40.50
E6003	57	57		10.50	12.50	13.50	24.00		17.00
E7040	61	61		12.00	12.00	12.00	28.00		21.50
E7050	60	60	4	19.00	21.00	22.00	49.50	44.50	40.50
E7067	60	60		7.50	7.50	7.50	24.00		16.50
ER396	59	59		8.50	8.50	8.50	25.00		17.00
ERSGTB	59	59		17.50	19.50	21.00	35.50	49.50	25.00
ERSGTT	59	59		9.50	9.50	9.50	26.00		19.00
EUREKA	56	56		13.50	15.50	17.00	27.00		20.50
F10	49	49	3	47.50	56.00	60.00	112.00	93.00	84.50
F12	48	48	3	49.50	57.50	63.00	114.00	94.00	88.00
F14	51	51	3	11.00	13.00	14.00	35.00	33.00	21.50
F16	51	51	3	11.00	13.00	14.00	35.00	33.00	21.50
F18	50	50	3	31.50	34.00	35.00	73.00	62.00	56.00
F18E	50	50	3	43.00	48.00	51.00	92.00	78.00	73.50
F102	46	46	3	43.00	48.00	51.00	92.00	78.00	73.50
F109	48	48	3	47.50	56.00	60.00	112.00	93.00	84.50
F111	48	48	3	49.50	57.50	63.00	114.00	94.00	88.00
F112	49	49	3	47.50	56.00	60.00	112.00	93.00	84.50
F113	X	X	3	11.00	13.00	14.00	35.00	33.00	21.50
F114	51	51	3	11.00	13.00	14.00	35.00	33.00	21.50
F115	49	49	3	43.00	48.00	51.00	92.00	78.00	73.50
F116	49	49	3	49.50	57.50	63.00	114.00	94.00	88.00
F118	16	16	2	52.00	58.00	64.50	115.00	95.00	91.00

F118E	16	16	2	52.00	58.00	64.50	115.00	95.00	91.00
F121	48	48	1	49.50	57.50	63.00	114.00	94.00	88.00
F122	17	17	3	49.50	57.50	63.00	114.00	94.00	88.00
F124	48	48	1	49.50	57.50	63.00	114.00	94.00	88.00
F125	49	49	3	31.50	34.00	35.00	73.00	62.00	56.00
F127	48	48	3	47.50	56.00	60.00	112.00	93.00	84.50
F130	48	48	3	49.50	57.50	63.00	114.00	94.00	88.00
F130A	48	48	3	49.50	57.50	63.00	114.00	94.00	88.00
F132	48	48	1	49.50	57.50	63.00	114.00	94.00	88.00
F133	49	49	3	49.50	57.50	63.00	114.00	94.00	88.00
F134	49	49	3	49.50	57.50	63.00	114.00	94.00	88.00
F135	48	48	1	49.50	57.50	63.00	114.00	94.00	88.00
F136	X			49.50	57.50	63.00	114.00	94.00	88.00
F137	48	48	1	49.50	57.50	63.00	114.00	94.00	88.00
F138	49	49	2	49.50	57.50	63.00	114.00	94.00	88.00
F138A	36A		3	49.50	57.50	63.00	114.00	94.00	88.00
F139	49	49	3	49.50	57.50	63.00	114.00	94.00	88.00
F140	50	50	1	49.50	57.50	63.00	114.00	94.00	88.00
F141	49	49	1	49.50	57.50	63.00	114.00	94.00	88.00
F141A	36A		3	49.50	57.50	63.00	114.00	94.00	88.00
F142	49	49	2	49.50	57.50	63.00	114.00	94.00	88.00
F143	49	49	3	49.50	57.50	63.00	114.00	94.00	88.00
F143A	49	49	3	59.00	65.00	72.50	121.00	103.00	95.50
F143B	49	49	3	86.50	94.00	101.00	152.00	131.00	127.00
F144	49	49	3	49.50	57.50	63.00	114.00	94.00	88.00
F145	49	49	3	49.50	57.50	63.00	114.00	94.00	88.00
F146	50	50	1	52.00	58.00	64.50	115.00	95.00	91.00
F147	48	48	1	49.50	57.50	63.00	114.00	94.00	88.00
F148	48	48	1	49.50	57.50	63.00	114.00	94.00	88.00
F176	15	15	1	59.00	65.00	72.50	121.00	103.00	95.50
F999	48	48	3	59.00	65.00	72.50	121.00	103.00	95.50
FLA_STAR TT_P	24			8.50	8.50	8.50	25.00		17.00
FLA_STARTT_M	24			9.50	9.50	9.50	26.00		19.00
FLMAP	56	56		13.50	15.50	17.00	27.00		20.50
GW01	X		3	49.50	57.50	63.00	114.00	94.00	88.00
GW650	X		3	59.00	65.00	72.50	121.00	103.00	95.50
GW650A	X		3	59.00	65.00	72.50	121.00	103.00	95.50
K10A	X	X	3	36.00		38.00			
K10B	X	X		36.00		38.00			
K12A	70	70	4	36.00		38.00			
K15	70	70	4	87.00	87.00	87.00			
K16	70	70	4	30.50		33.00			
K17	70	70	4	87.00	87.00	87.00			
K18	70	70	4	30.50		33.00			
K19H	X	X	4	30.50		33.00			
K19P	70	70	4	30.50		33.00			
K20	70	70	4	30.50		33.00			
K26	X	X	1	26.50		28.00			
K28A	70	70	4	30.50		33.00			
K28C	70	70	4	30.50		33.00			
K30	70	70	4	30.50		33.00			
K32A	X	X	1	30.50		33.00			
M5B	18	18	2	59.00	65.00	72.50	121.00	103.00	95.50
M11	44	44	2	52.00	58.00	64.50	115.00	95.00	91.00

NOTES: 1. SHELL BACK ONLY
 2. SHELL BACK, SOLID BACK AT ADDITIONAL COST
 3. SOLID BACK ONLY, NO ADDITIONAL COST
 4. NO EXTRA CHARGE FOR COLOR SEAL

* - DELUXE FINISHES
 X - NOT PICTURED

(914) 948-4619
 www.smithwarren.com



MODEL NO	PG. NO. 85A	PG. NO. 85	NOTES	NICKEL	RHODIUM	GOLD	COTE D'OR *	TWO TONE *	SIL-RAY* or GOL-RAY *	MODEL NO	PG. NO. 85A	PG. NO. 85	NOTES	NICKEL	RHODIUM	GOLD	COTE D'OR *	TWO TONE *	SIL-RAY* or GOL-RAY *
----------	-------------	------------	-------	--------	---------	------	-------------	------------	-----------------------	----------	-------------	------------	-------	--------	---------	------	-------------	------------	-----------------------

M11A	44	44	2	59.00	65.00	72.50	121.00	103.00	95.50
M11B	44	44	2	52.00	58.00	64.50	115.00	95.00	91.00
M14	17	17	2	49.50	57.50	63.00	114.00	94.00	88.00
M15	17	17	2	52.00	58.00	64.50	115.00	95.00	91.00
M41	36	36	2	52.00	58.00	64.50	115.00	95.00	91.00
M41A	X		3	59.00	65.00	72.50	121.00	103.00	95.50
M53	X	X	3	52.00	58.00	64.50	115.00	95.00	91.00
M53A	45	45	3	52.00	58.00	64.50	115.00	95.00	91.00
M53B	45	45	3	43.00	48.00	51.00	92.00	78.00	73.50
M57(S54)	X	X	3	49.50	57.50	63.00	114.00	94.00	88.00
M70	X	X	1	52.00	58.00	64.50	115.00	95.00	91.00
M76	44	44	1	59.00	65.00	72.50	121.00	103.00	95.50
M81	X	X	1	52.00	58.00	64.50	115.00	95.00	91.00
M93	X	X	1	52.00	58.00	64.50	115.00	95.00	91.00
M95	X	X	1	59.00	65.00	72.50	121.00	103.00	95.50
M100	X			52.00	58.00	64.50	115.00	95.00	91.00
M100A	36	36	3	49.50	57.50	63.00	114.00	94.00	88.00
M100B	36	36	2	52.00	58.00	64.50	115.00	95.00	91.00
M100D	36	36	2	67.00	72.50	75.50	126.00	112.50	102.00
M103	X	X	1	52.00	58.00	64.50	115.00	95.00	91.00
M105	47	47	1	59.00	65.00	72.50	121.00	103.00	95.50
M105A	X	X	1	59.00	65.00	72.50	121.00	103.00	95.50
M111	X	X	1	52.00	58.00	64.50	115.00	95.00	91.00
M112	50	50	3	52.00	58.00	64.50	115.00	95.00	91.00
M113	X	X	1	52.00	58.00	64.50	115.00	95.00	91.00
M114	50	50	1	52.00	58.00	64.50	115.00	95.00	91.00
M116	X	X	1	49.50	57.50	63.00	114.00	94.00	88.00
M118	X	X	3	49.50	57.50	63.00	114.00	94.00	88.00
M119	X	X	1	47.50	56.00	60.00	112.00	93.00	84.50
M137	50	50	2	43.00	48.00	51.00	92.00	78.00	73.50
M143	X	X	1	49.50	57.50	63.00	114.00	94.00	88.00
M169	X	X	1	49.50	57.50	63.00	114.00	94.00	88.00
M180	19	19	2	52.00	58.00	64.50	115.00	95.00	91.00
M181	50	50	3	43.00	48.00	51.00	92.00	78.00	73.50
M182	45	45	3	52.00	58.00	64.50	115.00	95.00	91.00
M182D	45	45	3	52.00	58.00	64.50	115.00	95.00	91.00
M182E	45	45	3	52.00	58.00	64.50	115.00	95.00	91.00
M182F	45	45	3	52.00	58.00	64.50	115.00	95.00	91.00
M184	34	34	3	59.00	65.00	72.50	121.00	103.00	95.50
M200	36	36	2	49.50	57.50	63.00	114.00	94.00	88.00
M201R	6	6	2	100.00	108.00	112.00	162.00	136.00	132.00
M202	6	6	3	86.50	94.00	101.00	152.00	131.00	127.00
M202R	6	6	3	100.00	108.00	112.00	162.00	136.00	132.00
M204	9	9	3	86.50	94.00	101.00	152.00	131.00	127.00
M209	19	19	2	59.00	65.00	72.50	121.00	103.00	95.50
M213	49	49	3	49.50	57.50	63.00	114.00	94.00	88.00
M214	50	50	1	49.50	57.50	63.00	114.00	94.00	88.00
M216	14	14	1	59.00	65.00	72.50	121.00	103.00	95.50
M217	49	49	2	49.50	57.50	63.00	114.00	94.00	88.00
M222	5	5	3	86.50	94.00	101.00	152.00	131.00	127.00
M222A	5	5	3	86.50	94.00	101.00	152.00	131.00	127.00
M222B	X	X	3	86.50	94.00	101.00	152.00	131.00	127.00
M222C	X		3	86.50	94.00	101.00	152.00	131.00	127.00
M222D	X		3	86.50	94.00	101.00	152.00	131.00	127.00

M222R	X		3	100.00	108.00	112.00	162.00	136.00	132.00
M224A	34	34	3	62.00	66.00	73.50	124.00	106.50	102.00
M260	10	10	3	86.50	94.00	101.00	152.00	131.00	127.00
M260A	10	10	3	86.50	94.00	101.00	152.00	131.00	127.00
M260B	10	10	3	100.00	108.00	112.00	162.00	136.00	132.00
M260C	10	10	3	86.50	94.00	101.00	152.00	131.00	127.00
M260D	10	10	3	86.50	94.00	101.00	152.00	131.00	127.00
M260E	X		3	86.50	94.00	101.00	152.00	131.00	127.00
M260F	X		3	86.50	94.00	101.00	152.00	131.00	127.00
M260H	X	X	3	100.00	108.00	112.00	162.00	136.00	132.00
M260R	10	10	3	100.00	108.00	112.00	162.00	136.00	132.00
M261	10	10	3	86.50	94.00	101.00	152.00	131.00	127.00
M261B	10	10	3	86.50	94.00	101.00	152.00	131.00	127.00
M261C	36E		3	86.50	94.00	101.00	152.00	131.00	127.00
M261D	36E		3	100.00	108.00	112.00	162.00	136.00	132.00
M261E	36F		3	100.00	108.00	112.00	162.00	136.00	132.00
M261F	36F		3	100.00	108.00	112.00	162.00	136.00	132.00
M261FLA	X		3	100.00	108.00	112.00	162.00	136.00	132.00
M261G	X		3	86.50	94.00	101.00	152.00	131.00	127.00
M261H	X	X	3	86.50	94.00	101.00	152.00	131.00	127.00
M261J	10	10	3	100.00	108.00	112.00	162.00	136.00	132.00
M261LA	X		3	100.00	108.00	112.00	162.00	136.00	132.00
M261R	X		3	100.00	108.00	112.00	162.00	136.00	132.00
M262	12	12	3	86.50	94.00	101.00	152.00	131.00	127.00
M262A	12	12	3	86.50	94.00	101.00	152.00	131.00	127.00
M262B	X		3	86.50	94.00	101.00	152.00	131.00	127.00
M262C	X		3	100.00	108.00	112.00	162.00	136.00	132.00
M262H	12	12	3	100.00	108.00	112.00	162.00	136.00	132.00
M262L	36E		3	86.50	94.00	101.00	152.00	131.00	127.00
M262R	X		3	100.00	108.00	112.00	162.00	136.00	132.00
M263	11	11	3	66.00	72.50	75.50	126.00	113.00	103.00
M263A	11	11	3	66.00	72.50	75.50	126.00	113.00	103.00
M263B	11	11	3	62.00	66.00	73.50	124.00	106.50	102.00
M263M	X	X	3	52.00	58.00	64.50	115.00	95.00	91.00
M370TX	22	22	3	79.00	82.00	85.00	137.00	124.00	118.00
M370TX2	22	22	3	66.00	72.50	75.50	126.00	113.00	103.00
M370TXA	22	22	3	79.00	82.00	85.00	137.00	124.00	118.00
M373	X	X	3	62.00	66.00	73.50	124.00	106.50	102.00
M375TX	22	22	3	59.00	65.00	72.50	121.00	103.00	95.50
M376	X	X	3	59.00	65.00	72.50	121.00	103.00	95.50
M379	23	23	3	79.00	82.00	85.00	137.00	124.00	118.00
M379_S580	X		3	79.00	82.00	85.00	137.00	124.00	118.00
M379A	23	23	3	79.00	82.00	85.00	137.00	124.00	118.00
M381	X	X	3	52.00	58.00	64.50	115.00	95.00	91.00
M384	28	28	3	59.00	65.00	72.50	121.00	103.00	95.50
M384A	28	28	3	86.50	94.00	101.00	152.00	131.00	127.00
M385	X	X	3	66.00	72.50	75.50	126.00	113.00	103.00
M385V	27	27	3	66.00	72.50	75.50	126.00	113.00	103.00
M392	26	26	3	59.00	65.00	72.50	121.00	103.00	95.50
M392E	X	X	3	86.50	94.00	101.00	152.00	131.00	127.00
M393	X	X	3	59.00	65.00	72.50	121.00	103.00	95.50
M393A	X	X	3	59.00	65.00	72.50	121.00	103.00	95.50
M399	31	31	3	66.00	72.50	75.50	126.00	113.00	103.00
M399A	31	31	3	67.00	72.50	75.50	126.00	112.50	102.00

NOTES: 1. SHELL BACK ONLY
2. SHELL BACK, SOLID BACK AT ADDITIONAL COST
3. SOLID BACK ONLY, NO ADDITIONAL COST
4. NO EXTRA CHARGE FOR COLOR SEAL

* - DELUXE FINISHES
X - NOT PICTURED

(914) 948-4619
www.smithwarren.com



MODEL NO	PG. NO. 85A	PG. NO. 85	NOTES	NICKEL	RHODIUM	GOLD	COTE D'OR *	TWO TONE *	SIL-RAY* or GOL-RAY *	MODEL NO	PG. NO. 85A	PG. NO. 85	NOTES	NICKEL	RHODIUM	GOLD	COTE D'OR *	TWO TONE *	SIL-RAY* or GOL-RAY *
----------	-------------	------------	-------	--------	---------	------	-------------	------------	-----------------------	----------	-------------	------------	-------	--------	---------	------	-------------	------------	-----------------------

M399AR	X	X	3	100.00	108.00	112.00	162.00	136.00	132.00
M399B	X		3	66.00	72.50	75.50	126.00	113.00	103.00
M399C	X		3	66.00	72.50	75.50	126.00	113.00	103.00
M399E	X		3	79.00	82.00	85.00	137.00	124.00	118.00
M399R	31	31	3	100.00	108.00	112.00	162.00	136.00	132.00
M404	36	36	1	52.00	58.00	64.50	115.00	95.00	91.00
M407	32	32	1	52.00	58.00	64.50	115.00	95.00	91.00
M409	X	X	1	52.00	58.00	64.50	115.00	95.00	91.00
M410	34	34	2	59.00	65.00	72.50	121.00	103.00	95.50
M414	X		1	49.50	57.50	63.00	114.00	94.00	88.00
M418	34	34	1	49.50	57.50	63.00	114.00	94.00	88.00
M420	32	32	1	52.00	58.00	64.50	115.00	95.00	91.00
M420A	32	32	1	52.00	58.00	64.50	115.00	95.00	91.00
M424	35	35	1	49.50	57.50	63.00	114.00	94.00	88.00
M424A	35	35	3	36.00		38.00			
M424B	X		3	36.00		38.00			
M425	35	35	1	49.50	57.50	63.00	114.00	94.00	88.00
M426	34	34	3	49.50	57.50	63.00	114.00	94.00	88.00
M426HG	34	34		66.00	72.50	75.50	126.00	113.00	103.00
M427	34	X	3	14.50	14.50	14.50	30.00		23.50
M429	32	32	1	52.00	58.00	64.50	115.00	95.00	91.00
M432	34	34	1	49.50	57.50	63.00	114.00	94.00	88.00
M435	X	X	1	47.50	56.00	60.00	112.00	93.00	84.50
M441	40	40	1	49.50	57.50	63.00	114.00	94.00	88.00
M442	X		3	66.00	72.50	75.50	126.00	113.00	103.00
M442R	X	X	3	100.00	108.00	112.00	162.00	136.00	132.00
M443	32	32	2	66.00	72.50	75.50	126.00	113.00	103.00
M443R	X	X	2	84.00	90.00	94.00	144.00	117.50	114.00
M444	X		3	43.00	48.00	51.00	92.00	78.00	73.50
M446	X	X	1	52.00	58.00	64.50	115.00	95.00	91.00
M449	40	40	1	49.50	57.50	63.00	114.00	94.00	88.00
M450	X	X	1	49.50	57.50	63.00	114.00	94.00	88.00
M452	35	35	1	49.50	57.50	63.00	114.00	94.00	88.00
M454	35	35	1	52.00	58.00	64.50	115.00	95.00	91.00
M468A	43	43	3	47.50	56.00	60.00	112.00	93.00	84.50
M494	19	19	3	49.50	57.50	63.00	114.00	94.00	88.00
M520	49	49	3	43.00	48.00	51.00	92.00	78.00	73.50
M593	50	50	3	31.50	34.00	35.00	73.00	62.00	56.00
M594	50	50	3	31.50	34.00	35.00	73.00	62.00	56.00
M595	50	50	3	31.50	34.00	35.00	73.00	62.00	56.00
M596	50	50	3	31.50	34.00	35.00	73.00	62.00	56.00
M597	50	50	3	31.50	34.00	35.00	73.00	62.00	56.00
M598	50	50	3	31.50	34.00	35.00	73.00	62.00	56.00
M599	50	50	3	31.50	34.00	35.00	73.00	62.00	56.00
M600	50	50	3	31.50	34.00	35.00	73.00	62.00	56.00
M601	50	50	3	31.50	34.00	35.00	73.00	62.00	56.00
M602	50	50	3	31.50	34.00	35.00	73.00	62.00	56.00
M603	50	50	3	31.50	34.00	35.00	73.00	62.00	56.00
M604	50	50	3	31.50	34.00	35.00	73.00	62.00	56.00
M605	50	50	3	31.50	34.00	35.00	73.00	62.00	56.00
M606	50	50	3	31.50	34.00	35.00	73.00	62.00	56.00
M607	50	50	3	31.50	34.00	35.00	73.00	62.00	56.00
M608	50	50	3	31.50	34.00	35.00	73.00	62.00	56.00
M610	50	50	3	31.50	34.00	35.00	73.00	62.00	56.00

M611	50	50	3	31.50	34.00	35.00	73.00	62.00	56.00
M612	50	50	3	31.50	34.00	35.00	73.00	62.00	56.00
M613	50	50	3	31.50	34.00	35.00	73.00	62.00	56.00
M614	50	50	3	31.50	34.00	35.00	73.00	62.00	56.00
M615	50	50		31.50	34.00	35.00	73.00	62.00	56.00
M711	X	X	3	52.00	58.00	64.50	115.00	95.00	91.00
M715	X	X	3	49.50	57.50	63.00	114.00	94.00	88.00
M719	22	22	3	62.00	66.00	73.50	124.00	106.50	102.00
M724	21	21	3	62.00	66.00	73.50	124.00	106.50	102.00
M804 (PR)	35	35	3	12.00	12.00	12.00	28.00		21.50
M804NY (PR)	40	40	3	12.00	12.00	12.00	28.00		21.50
M810	47	47	3	59.00	65.00	72.50	121.00	103.00	95.50
M811	X	X		14.50	14.50	14.50	30.00		23.50
M814	52	52	3	17.50	19.50	21.00	35.50	49.50	25.00
M823	51	51	3	26.00	29.00	30.50	67.00	54.50	49.50
M824	51	51	3	26.00	29.00	30.50	67.00	54.50	49.50
M825	51	51	3	26.00	29.00	30.50	67.00	54.50	49.50
M831	51	51	3	26.00	29.00	30.50	67.00	54.50	49.50
M839	51	51	3	26.00	29.00	30.50	67.00	54.50	49.50
M840	51	51	3	26.00	29.00	30.50	67.00	54.50	49.50
M841	51	51	3	26.00	29.00	30.50	67.00	54.50	49.50
M846	51	51	3	17.50	19.50	21.00	35.50	49.50	25.00
M857	53	53		12.50	14.50	16.00	26.00		19.00
M857L	53	53		17.50	19.50	21.00	35.50	49.50	25.00
M872E	54	54		12.50	14.50	16.00	26.00		19.00
M872P	54	54		10.50	12.50	13.50	24.00		17.00
M873A	51	51		10.50	12.50	13.50	24.00		17.00
M873AL	51	51		17.50	19.50	21.00	35.50	49.50	25.00
M900	54	54		13.50	15.50	17.00	27.00		20.50
M902	54	54		13.50	15.50	17.00	27.00		20.50
M902C	54	54		14.50	16.50	17.50	28.00		24.00
M949	54	54		13.50	15.50	17.00	27.00		20.50
M949W	54	54		13.50	15.50	17.00	27.00		20.50
M950	51	51	3	26.00	29.00	30.50	67.00	54.50	49.50
M951	51	51	3	26.00	29.00	30.50	67.00	54.50	49.50
M952	51	51	3	26.00	29.00	30.50	67.00	54.50	49.50
M953	51	51	3	26.00	29.00	30.50	67.00	54.50	49.50
M954	51	51	3	26.00	29.00	30.50	67.00	54.50	49.50
M955	51	51	3	26.00	29.00	30.50	67.00	54.50	49.50
M956	51	51	3	26.00	29.00	30.50	67.00	54.50	49.50
M957	51	51	3	26.00	29.00	30.50	67.00	54.50	49.50
M958	51	51	3	26.00	29.00	30.50	67.00	54.50	49.50
M960	59	59		26.00	29.00	30.50	67.00	54.50	49.50
M962E	X	X	1	49.50	57.50	63.00	114.00	94.00	88.00
M962SG	X	X	1	26.00	29.00	30.50	67.00	54.50	49.50
M962SO	X	X	1	26.00	29.00	30.50	67.00	54.50	49.50
M962SPO	X	X	1	26.00	29.00	30.50	67.00	54.50	49.50
M998CO	53	53		12.00	12.00	12.00	28.00		21.50
M999	X	X	3	26.00	29.00	30.50	67.00	54.50	49.50
M1019F	X	X	3	30.50		33.00			
M1055	X	X	3	30.50		33.00			
M1056	X	X	3	30.50		33.00			
M1057	X	X	3	30.50		33.00			
M1085	X	X	3	30.50		33.00			

- NOTES: 1. SHELL BACK ONLY
 2. SHELL BACK, SOLID BACK AT ADDITIONAL COST
 3. SOLID BACK ONLY, NO ADDITIONAL COST
 4. NO EXTRA CHARGE FOR COLOR SEAL

* - DELUXE FINISHES
 X - NOT PICTURED

(914) 948-4619
 www.smithwarren.com



MODEL NO	PG. NO. 85A	PG. NO. 85	NOTES	NICKEL	RHODIUM	GOLD	COTE D'OR *	TWO TONE *	SIL-RAY* or GOL-RAY *
----------	-------------	------------	-------	--------	---------	------	-------------	------------	-----------------------

MODEL NO	PG. NO. 85A	PG. NO. 85	NOTES	NICKEL	RHODIUM	GOLD	COTE D'OR *	TWO TONE *	SIL-RAY* or GOL-RAY *
----------	-------------	------------	-------	--------	---------	------	-------------	------------	-----------------------

S56REV	X		1	49.50	57.50	63.00	114.00	94.00	88.00
S58	42	42	3	43.00	48.00	51.00	92.00	78.00	73.50
S60	34	34	3	62.00	66.00	73.50	124.00	106.50	102.00
S60A	X	X	3	62.00	66.00	73.50	124.00	106.50	102.00
S60M	X		3	47.50	56.00	60.00	112.00	93.00	84.50
S64	X	X	2	86.50	94.00	101.00	152.00	131.00	127.00
S66	X	X	2	86.50	94.00	101.00	152.00	131.00	127.00
S67	X	X	2	86.50	94.00	101.00	152.00	131.00	127.00
S68	X	X	2	86.50	94.00	101.00	152.00	131.00	127.00
S70	X	X	2	86.50	94.00	101.00	152.00	131.00	127.00
S70A	12	12	3	86.50	94.00	101.00	152.00	131.00	127.00
S71	12	12	2	86.50	94.00	101.00	152.00	131.00	127.00
S72	12	12	2	86.50	94.00	101.00	152.00	131.00	127.00
S76	70	70	4	30.50		33.00			
S78	X	X	4	30.50		33.00			
S80	23	23	3	49.50	57.50	63.00	114.00	94.00	88.00
S81	21	21	3	62.00	66.00	73.50	124.00	106.50	102.00
S81B	21	21	3	66.00	72.50	75.50	126.00	113.00	103.00
S81C	X			79.00	82.00	85.00	137.00	124.00	118.00
S82	30	30	3	79.00	82.00	85.00	137.00	124.00	118.00
S83	X	X	3	66.00	72.50	75.50	126.00	113.00	103.00
S84	23	23	3	52.00	58.00	64.50	115.00	95.00	91.00
S85	24	24	3	86.50	94.00	101.00	152.00	131.00	127.00
S85A	23	23	3	86.50	94.00	101.00	152.00	131.00	127.00
S86	26	26	3	59.00	65.00	72.50	121.00	103.00	95.50
S86M	26	26	3	52.00	58.00	64.50	115.00	95.00	91.00
S87	6	6	2	86.50	94.00	101.00	152.00	131.00	127.00
S87A	6	6	2	86.50	94.00	101.00	152.00	131.00	127.00
S87B	6	6	2	86.50	94.00	101.00	152.00	131.00	127.00
S87D	6	6	2	86.50	94.00	101.00	152.00	131.00	127.00
S88	X	X	2	86.50	94.00	101.00	152.00	131.00	127.00
S89	7	7	2	86.50	94.00	101.00	152.00	131.00	127.00
S89A	7	7	2	86.50	94.00	101.00	152.00	131.00	127.00
S89B	7	7	2	86.50	94.00	101.00	152.00	131.00	127.00
S89R	7	7	2	100.00	108.00	112.00	162.00	136.00	132.00
S89T	36B	X	2	86.50	94.00	101.00	152.00	131.00	127.00
S89TR	X	X	2	100.00	108.00	112.00	162.00	136.00	132.00
S90	X	X	1	52.00	58.00	64.50	115.00	95.00	91.00
S90A	33	33	1	52.00	58.00	64.50	115.00	95.00	91.00
S91	5	5	2	86.50	94.00	101.00	152.00	131.00	127.00
S91A	5	5	2	86.50	94.00	101.00	152.00	131.00	127.00
S91B	5	5	2	86.50	94.00	101.00	152.00	131.00	127.00
S91C	5	5	2	86.50	94.00	101.00	152.00	131.00	127.00
S91D	X	X	2	86.50	94.00	101.00	152.00	131.00	127.00
S91E	X	X	2	86.50	94.00	101.00	152.00	131.00	127.00
S91G	X	X	2	86.50	94.00	101.00	152.00	131.00	127.00
S91H	5	5	2	86.50	94.00	101.00	152.00	131.00	127.00
S91J	X	X	2	86.50	94.00	101.00	152.00	131.00	127.00
S91K	5	5	2	86.50	94.00	101.00	152.00	131.00	127.00
S91L	X	X	2	86.50	94.00	101.00	152.00	131.00	127.00
S91M	X	X	2	86.50	94.00	101.00	152.00	131.00	127.00
S91N	X	X	2	86.50	94.00	101.00	152.00	131.00	127.00
S91P	X	X	2	86.50	94.00	101.00	152.00	131.00	127.00
S91Q	X		3	86.50	94.00	101.00	152.00	131.00	127.00

S91R	5	5	2	100.00	108.00	112.00	162.00	136.00	132.00
S91T	X	X	2	86.50	94.00	101.00	152.00	131.00	127.00
S91TR	X	X	2	100.00	108.00	112.00	162.00	136.00	132.00
S91X	X	X	2	86.50	94.00	101.00	152.00	131.00	127.00
S92	7	7	2	86.50	94.00	101.00	152.00	131.00	127.00
S93	6	6	3	86.50	94.00	101.00	152.00	131.00	127.00
S93A	6	6	3	86.50	94.00	101.00	152.00	131.00	127.00
S93B	6	6	3	86.50	94.00	101.00	152.00	131.00	127.00
S93C	X		3	86.50	94.00	101.00	152.00	131.00	127.00
S93R	X	X	3	100.00	108.00	112.00	162.00	136.00	132.00
S93TR	36C		3	100.00	108.00	112.00	162.00	136.00	132.00
S94	9	9	3	86.50	94.00	101.00	152.00	131.00	127.00
S94A	9	9	3	86.50	94.00	101.00	152.00	131.00	127.00
S94R	9	9	3	100.00	108.00	112.00	162.00	136.00	132.00
S95	9	9	3	86.50	94.00	101.00	152.00	131.00	127.00
S96	9	9	3	86.50	94.00	101.00	152.00	131.00	127.00
S96EO	X		3	86.50	94.00	101.00	152.00	131.00	127.00
S97	9	9	3	86.50	94.00	101.00	152.00	131.00	127.00
S97R	X		3	100.00	108.00	112.00	162.00	136.00	132.00
S98	X	X	1	86.50	94.00	101.00	152.00	131.00	127.00
S99	X	X	2	62.00	66.00	73.50	124.00	106.50	102.00
S100	X	X	1	86.50	94.00	101.00	152.00	131.00	127.00
S100A	X	X	1	86.50	94.00	101.00	152.00	131.00	127.00
S100B	X	X	1	86.50	94.00	101.00	152.00	131.00	127.00
S100C	X	X	1	86.50	94.00	101.00	152.00	131.00	127.00
S100D	X	X	1	86.50	94.00	101.00	152.00	131.00	127.00
S101	40	40	1	47.50	56.00	60.00	112.00	93.00	84.50
S101A	X		1	52.00	58.00	64.50	115.00	95.00	91.00
S101CO	X	X	1	21.00	27.00	29.50			
S102	40	40	1	47.50	56.00	60.00	112.00	93.00	84.50
S102CO	X	X	1	21.00	27.00	29.50			
S103	40	40	1	47.50	56.00	60.00	112.00	93.00	84.50
S103A	40	40	1	52.00	58.00	64.50	115.00	95.00	91.00
S103CO	X	X	1	21.00	27.00	29.50			
S104	35	35	1	49.50	57.50	63.00	114.00	94.00	88.00
S105	32	32	1	52.00	58.00	64.50	115.00	95.00	91.00
S105A	X		1	52.00	58.00	64.50	115.00	95.00	91.00
S106	35	35	1	52.00	58.00	64.50	115.00	95.00	91.00
S107	33	33	1	59.00	65.00	72.50	121.00	103.00	95.50
S108	33	33	1	52.00	58.00	64.50	115.00	95.00	91.00
S109	34	34	1	52.00	58.00	64.50	115.00	95.00	91.00
S110	33	33	1	52.00	58.00	64.50	115.00	95.00	91.00
S111	33	33	1	49.50	57.50	63.00	114.00	94.00	88.00
S112	X	X	1	49.50	57.50	63.00	114.00	94.00	88.00
S113	X	X	1	59.00	65.00	72.50	121.00	103.00	95.50
S114	X	X	1	59.00	65.00	72.50	121.00	103.00	95.50
S115	19	19	2	59.00	65.00	72.50	121.00	103.00	95.50
S116	X			11.00	13.00	14.00	35.00	33.00	21.50
S116CE	40	40	3	11.00	13.00	14.00	35.00	33.00	21.50
S116CM	40	40	3	13.50	15.50	17.00	27.00		20.50
S116CT	40	40	3	11.00	13.00	14.00	35.00	33.00	21.50
S116DE	35	35	3	11.00	13.00	14.00	35.00	33.00	21.50
S116ME	40	40	3	11.00	13.00	14.00	35.00	33.00	21.50
S116NJ	40	40	3	11.00	13.00	14.00	35.00	33.00	21.50

- NOTES: 1. SHELL BACK ONLY
 2. SHELL BACK, SOLID BACK AT ADDITIONAL COST
 3. SOLID BACK ONLY, NO ADDITIONAL COST
 4. NO EXTRA CHARGE FOR COLOR SEAL

* - DELUXE FINISHES
 X - NOT PICTURED

(914) 948-4619
 www.smithwarren.com



MODEL NO	PG. NO. 85A	PG. NO. 85	NOTES	NICKEL	RHODIUM	GOLD	COTE D'OR *	TWO TONE *	SIL-RAY* or GOL-RAY *	MODEL NO	PG. NO. 85A	PG. NO. 85	NOTES	NICKEL	RHODIUM	GOLD	COTE D'OR *	TWO TONE *	SIL-RAY* or GOL-RAY *
S116NY	40	40	3	11.00	13.00	14.00	35.00	33.00	21.50	S158AEO	42	42	2	59.00	65.00	72.50	121.00	103.00	95.50
S116PA	35	35	1	11.00	13.00	14.00	35.00	33.00	21.50	S158AX	42	42	1	59.00	65.00	72.50	121.00	103.00	95.50
S117	35	35	1	22.00	28.00	32.00	47.50	56.50	52.00	S158B	43	43	2	59.00	65.00	72.50	121.00	103.00	95.50
S118	35	35	1	49.50	57.50	63.00	114.00	94.00	88.00	S158C	43	43	2	59.00	65.00	72.50	121.00	103.00	95.50
S119	X	X	1	49.50	57.50	63.00	114.00	94.00	88.00	S159	18	18	2	52.00	58.00	64.50	115.00	95.00	91.00
S120	19	19	1	59.00	65.00	72.50	121.00	103.00	95.50	S160	44	44	1	59.00	65.00	72.50	121.00	103.00	95.50
S121	41	41	1	59.00	65.00	72.50	121.00	103.00	95.50	S162	33	33	1	49.50	57.50	63.00	114.00	94.00	88.00
S122	14	14	1	59.00	65.00	72.50	121.00	103.00	95.50	S163	44	44	2	52.00	58.00	64.50	115.00	95.00	91.00
S124	41	41	1	59.00	65.00	72.50	121.00	103.00	95.50	S164	18	18	1	52.00	58.00	64.50	115.00	95.00	91.00
S125	15	15	1	59.00	65.00	72.50	121.00	103.00	95.50	S165	47	47	1	49.50	57.50	63.00	114.00	94.00	88.00
S126	41	41	1	59.00	65.00	72.50	121.00	103.00	95.50	S166	33	33	1	49.50	57.50	63.00	114.00	94.00	88.00
S127	X	X	1	49.50	57.50	63.00	114.00	94.00	88.00	S167	18	18	2	52.00	58.00	64.50	115.00	95.00	91.00
S128	X	X	1	49.50	57.50	63.00	114.00	94.00	88.00	S168	46	46	3	59.00	65.00	72.50	121.00	103.00	95.50
S129	33	33	1	49.50	57.50	63.00	114.00	94.00	88.00	S169	18	18	2	52.00	58.00	64.50	115.00	95.00	91.00
S130	34	34	1	49.50	57.50	63.00	114.00	94.00	88.00	S169NP	X		3	52.00	58.00	64.50	115.00	95.00	91.00
S131	40	40	3	31.50	34.00	35.00	73.00	62.00	56.00	S170	16	16	3	52.00	58.00	64.50	115.00	95.00	91.00
S133	X	X	1	59.00	65.00	72.50	121.00	103.00	95.50	S171	X	X	3	52.00	58.00	64.50	115.00	95.00	91.00
S134	14	14	1	52.00	58.00	64.50	115.00	95.00	91.00	S172	14	14	1	52.00	58.00	64.50	115.00	95.00	91.00
S135	41	41	2	59.00	65.00	72.50	121.00	103.00	95.50	S173	14	14		52.00	58.00	64.50	115.00	95.00	91.00
S135B	X	X	2	100.00	108.00	112.00	162.00	136.00	132.00	S174	47	47	1	49.50	57.50	63.00	114.00	94.00	88.00
S135RP	X	X	1	62.00	66.00	73.50	124.00	106.50	102.00	S175	17	17	2	52.00	58.00	64.50	115.00	95.00	91.00
S136	41	41	2	59.00	65.00	72.50	121.00	103.00	95.50	S176	44	44	2	52.00	58.00	64.50	115.00	95.00	91.00
S137	13	13	1	59.00	65.00	72.50	121.00	103.00	95.50	S177	37	37	1	52.00	58.00	64.50	115.00	95.00	91.00
S138	13	13	1	59.00	65.00	72.50	121.00	103.00	95.50	S178	17	17	3	49.50	57.50	63.00	114.00	94.00	88.00
S139	14	14	1	59.00	65.00	72.50	121.00	103.00	95.50	S179	46	46	1	52.00	58.00	64.50	115.00	95.00	91.00
S140	15	15	1	59.00	65.00	72.50	121.00	103.00	95.50	S180	45	45	1	52.00	58.00	64.50	115.00	95.00	91.00
S140EO	X	X	1	59.00	65.00	72.50	121.00	103.00	95.50	S181	39	39	2	52.00	58.00	64.50	115.00	95.00	91.00
S141	41	41	2	59.00	65.00	72.50	121.00	103.00	95.50	S181A	X	X	2	52.00	58.00	64.50	115.00	95.00	91.00
S141A	41	41	1	59.00	65.00	72.50	121.00	103.00	95.50	S181X	39	39	3	100.00	108.00	112.00	162.00	136.00	132.00
S142	18	18	1	52.00	58.00	64.50	115.00	95.00	91.00	S182	18	18	2	51.50	57.50	64.00	115.00	94.00	89.50
S143	19	19	2	51.50	57.50	64.00	115.00	94.00	89.50	S183	X	X	1	59.00	65.00	72.50	121.00	103.00	95.50
S143SQ	20	20	1	52.00	58.00	64.50	115.00	95.00	91.00	S185	X	X	1	52.00	58.00	64.50	115.00	95.00	91.00
S144	16	16	2	52.00	58.00	64.50	115.00	95.00	91.00	S186	46	46	1	52.00	58.00	64.50	115.00	95.00	91.00
S145	19	19	1	59.00	65.00	72.50	121.00	103.00	95.50	S187	18	18	2	59.00	65.00	72.50	121.00	103.00	95.50
S146	18	18	1	59.00	65.00	72.50	121.00	103.00	95.50	S188	14	14	3	52.00	58.00	64.50	115.00	95.00	91.00
S147	16	16	3	52.00	58.00	64.50	115.00	95.00	91.00	S189	17	17	1	52.00	58.00	64.50	115.00	95.00	91.00
S148	15	15	3	49.50	57.50	63.00	114.00	94.00	88.00	S190	39	39	2	52.00	58.00	64.50	115.00	95.00	91.00
S149	48	48	1	49.50	57.50	63.00	114.00	94.00	88.00	S191	42	42	1	52.00	58.00	64.50	115.00	95.00	91.00
S150	15	15	3	59.00	65.00	72.50	121.00	103.00	95.50	S191A	X		2	52.00	58.00	64.50	115.00	95.00	91.00
S151	42	42	1	59.00	65.00	72.50	121.00	103.00	95.50	S191AUD	X		2	52.00	58.00	64.50	115.00	95.00	91.00
S152	38	38	2	59.00	65.00	72.50	121.00	103.00	95.50	S192	18	18	1	52.00	58.00	64.50	115.00	95.00	91.00
S152A	38	38	2	59.00	65.00	72.50	121.00	103.00	95.50	S193	46	46	3	59.00	65.00	72.50	121.00	103.00	95.50
S153	43	43	2	59.00	65.00	72.50	121.00	103.00	95.50	S194	44	44	2	52.00	58.00	64.50	115.00	95.00	91.00
S153A	43	43	2	59.00	65.00	72.50	121.00	103.00	95.50	S195	18	18	2	52.00	58.00	64.50	115.00	95.00	91.00
S154	38	38	1	59.00	65.00	72.50	121.00	103.00	95.50	S196	33	33	1	49.50	57.50	63.00	114.00	94.00	88.00
S154A	38	38	1	59.00	65.00	72.50	121.00	103.00	95.50	S197	46	46	1	52.00	58.00	64.50	115.00	95.00	91.00
S154B	38	38	2	59.00	65.00	72.50	121.00	103.00	95.50	S198	16	16	3	52.00	58.00	64.50	115.00	95.00	91.00
S155	19	19	2	51.50	57.50	64.00	115.00	94.00	89.50	S199	46	46	1	52.00	58.00	64.50	115.00	95.00	91.00
S155SQ	20	20	1	52.00	58.00	64.50	115.00	95.00	91.00	S200	39	39	2	62.00	66.00	73.50	124.00	106.50	102.00
S156	42	42	1	59.00	65.00	72.50	121.00	103.00	95.50	S200A	39	39	2	86.50	94.00	101.00	152.00	131.00	127.00
S157	15	15	1	59.00	65.00	72.50	121.00	103.00	95.50	S200B	X	X	3	100.00	108.00	112.00	162.00	136.00	132.00
S158	43	43	2	59.00	65.00	72.50	121.00	103.00	95.50	S200D	X	X	2	87.00	87.00	87.00			
S158A	43	43	2	59.00	65.00	72.50	121.00	103.00	95.50	S200X	39	39	3	100.00	108.00	112.00	162.00	136.00	132.00
S158AB	43	43	3	59.00	65.00	72.50	121.00	103.00	95.50	S201	46	46	3	52.00	58.00	64.50	115.00	95.00	91.00

NOTES: 1. SHELL BACK ONLY
2. SHELL BACK, SOLID BACK AT ADDITIONAL COST
3. SOLID BACK ONLY, NO ADDITIONAL COST
4. NO EXTRA CHARGE FOR COLOR SEAL

* - DELUXE FINISHES
X - NOT PICTURED

(914) 948-4619
www.smithwarren.com



MODEL NO	PG. NO. 85A	PG. NO. 85	NOTES	NICKEL	RHODIUM	GOLD	COTE D'OR *	TWO TONE *	SIL-RAY* or GOL-RAY *	MODEL NO	PG. NO. 85A	PG. NO. 85	NOTES	NICKEL	RHODIUM	GOLD	COTE D'OR *	TWO TONE *	SIL-RAY* or GOL-RAY *
----------	-------------	------------	-------	--------	---------	------	-------------	------------	-----------------------	----------	-------------	------------	-------	--------	---------	------	-------------	------------	-----------------------

S202	41	41	2	66.00	72.50	75.50	126.00	113.00	103.00
S203	47	47	3	47.50	56.00	60.00	112.00	93.00	84.50
S204	46	46	1	52.00	58.00	64.50	115.00	95.00	91.00
S205	16	16	1	49.50	57.50	63.00	114.00	94.00	88.00
S205E	16	16	1	49.50	57.50	63.00	114.00	94.00	88.00
S206	42	42	2	59.00	65.00	72.50	121.00	103.00	95.50
S206B	42	42	2	59.00	65.00	72.50	121.00	103.00	95.50
S206C	42	42	2	59.00	65.00	72.50	121.00	103.00	95.50
S207	47	47	3	49.50	57.50	63.00	114.00	94.00	88.00
S209	47	47	1	47.50	56.00	60.00	112.00	93.00	84.50
S210	17	17	2	59.00	65.00	72.50	121.00	103.00	95.50
S211	17	17	3	49.50	57.50	63.00	114.00	94.00	88.00
S212	47	47	3	49.50	57.50	63.00	114.00	94.00	88.00
S213	17	17	3	49.50	57.50	63.00	114.00	94.00	88.00
S218	X	X	1	59.00	65.00	72.50	121.00	103.00	95.50
S220	36	36	3	59.00	65.00	72.50	121.00	103.00	95.50
S220A	X		3	59.00	65.00	72.50	121.00	103.00	95.50
S221	36	36	3	52.00	58.00	64.50	115.00	95.00	91.00
S222	15	15	2	59.00	65.00	72.50	121.00	103.00	95.50
S222A	15	15	1	59.00	65.00	72.50	121.00	103.00	95.50
S223	42	42	3	59.00	65.00	72.50	121.00	103.00	95.50
S224	17	17	1	49.50	57.50	63.00	114.00	94.00	88.00
S225	39	39	2	59.00	65.00	72.50	121.00	103.00	95.50
S225D	X		3	100.00	108.00	112.00	162.00	136.00	132.00
S226	X		1	59.00	65.00	72.50	121.00	103.00	95.50
S227	15	15	3	59.00	65.00	72.50	121.00	103.00	95.50
S228	38	38	1	59.00	65.00	72.50	121.00	103.00	95.50
S229	16	16	3	52.00	58.00	64.50	115.00	95.00	91.00
S230	46	46	3	52.00	58.00	64.50	115.00	95.00	91.00
S231	37	37	1	59.00	65.00	72.50	121.00	103.00	95.50
S232	20	20	1	49.50	57.50	63.00	114.00	94.00	88.00
S233	20	20	1	47.50	56.00	60.00	112.00	93.00	84.50
S234	20	20	1	47.50	56.00	60.00	112.00	93.00	84.50
S235	X	X	1	47.50	56.00	60.00	112.00	93.00	84.50
S236	X	X	1	47.50	56.00	60.00	112.00	93.00	84.50
S237	20	20	1	47.50	56.00	60.00	112.00	93.00	84.50
S238	20	20	3	49.50	57.50	63.00	114.00	94.00	88.00
S239	20	20	1	47.50	56.00	60.00	112.00	93.00	84.50
S240	28	28	3	59.00	65.00	72.50	121.00	103.00	95.50
S240A	28	28	3	66.00	72.50	75.50	126.00	113.00	103.00
S241	27	27	1	66.00	72.50	75.50	126.00	113.00	103.00
S242	30	30	3	59.00	65.00	72.50	121.00	103.00	95.50
S243	30	30	3	62.00	66.00	73.50	124.00	106.50	102.00
S243A	30	30	3	66.00	72.50	75.50	126.00	113.00	103.00
S243AR	31	31	3	100.00	108.00	112.00	162.00	136.00	132.00
S243B	30	30	3	66.00	72.50	75.50	126.00	113.00	103.00
S243E	30	30	3	79.00	82.00	85.00	137.00	124.00	118.00
S243R	31	31	3	100.00	108.00	112.00	162.00	136.00	132.00
S244	X	X	3	59.00	65.00	72.50	121.00	103.00	95.50
S245	27	27	3	49.50	57.50	63.00	114.00	94.00	88.00
S247	22	22	3	49.50	57.50	63.00	114.00	94.00	88.00
S248	23	23	3	49.50	57.50	63.00	114.00	94.00	88.00
S249	30	30	3	49.50	57.50	63.00	114.00	94.00	88.00
S249A	X	X	3	49.50	57.50	63.00	114.00	94.00	88.00

S249B	30	30	3	49.50	57.50	63.00	114.00	94.00	88.00
S249C	30	30	3	49.50	57.50	63.00	114.00	94.00	88.00
S250	27	27	3	52.00	58.00	64.50	115.00	95.00	91.00
S251	X			52.00	58.00	64.50	115.00	95.00	91.00
S252	22	22	3	62.00	66.00	73.50	124.00	106.50	102.00
S252A	X	X	3	62.00	66.00	73.50	124.00	106.50	102.00
S252B	X	X	3	66.00	72.50	75.50	126.00	113.00	103.00
S253	22	22	3	52.00	58.00	64.50	115.00	95.00	91.00
S253B	36H		3	86.50	94.00	101.00	152.00	131.00	127.00
S254	27	27	3	59.00	65.00	72.50	121.00	103.00	95.50
S254A	27	27	3	66.00	72.50	75.50	126.00	113.00	103.00
S255	36H	X	1	66.00	72.50	75.50	126.00	113.00	103.00
S256	28	28	1	59.00	65.00	72.50	121.00	103.00	95.50
S257	27	27	1	59.00	65.00	72.50	121.00	103.00	95.50
S258	23	23	3	52.00	58.00	64.50	115.00	95.00	91.00
S258A	26	26	3	59.00	65.00	72.50	121.00	103.00	95.50
S258B	X	X	3	62.00	66.00	73.50	124.00	106.50	102.00
S259	27	27	3	59.00	65.00	72.50	121.00	103.00	95.50
S259M	36H	X	3	43.00	48.00	51.00	92.00	78.00	73.50
S260	30	30	3	59.00	65.00	72.50	121.00	103.00	95.50
S261	23	23	3	59.00	65.00	72.50	121.00	103.00	95.50
S261A	36F	X	3	67.00	72.50	75.50	126.00	112.50	102.00
S262A	28	28	3	59.00	65.00	72.50	121.00	103.00	95.50
S262B	36E		3	59.00	65.00	72.50	121.00	103.00	95.50
S262C	28	28	3	49.50	57.50	63.00	114.00	94.00	88.00
S262L	28	28	3	67.00	72.50	75.50	126.00	112.50	102.00
S263	X	X	1	62.00	66.00	73.50	124.00	106.50	102.00
S264	30	30	3	59.00	65.00	72.50	121.00	103.00	95.50
S266	30	30	3	62.00	66.00	73.50	124.00	106.50	102.00
S266E	36F		3	79.00	82.00	85.00	137.00	124.00	118.00
S267	18	18	3	43.00	48.00	51.00	92.00	78.00	73.50
S268	44	44	3	43.00	48.00	51.00	92.00	78.00	73.50
S269	15	15	3	43.00	48.00	51.00	92.00	78.00	73.50
S270	16	16	3	43.00	48.00	51.00	92.00	78.00	73.50
S271	13	13	3	43.00	48.00	51.00	92.00	78.00	73.50
S272	47	47	3	43.00	48.00	51.00	92.00	78.00	73.50
S273	47	47	3	43.00	48.00	51.00	92.00	78.00	73.50
S274	13	13	3	43.00	48.00	51.00	92.00	78.00	73.50
S275	43	43	3	43.00	48.00	51.00	92.00	78.00	73.50
S276	16	16	3	43.00	48.00	51.00	92.00	78.00	73.50
S277	47	47	3	43.00	48.00	51.00	92.00	78.00	73.50
S278	16	16	3	43.00	48.00	51.00	92.00	78.00	73.50
S279	42	42	3	43.00	48.00	51.00	92.00	78.00	73.50
S279A	42	42	3	43.00	48.00	51.00	92.00	78.00	73.50
S280	15	15	3	43.00	48.00	51.00	92.00	78.00	73.50
S281	47	47	3	43.00	48.00	51.00	92.00	78.00	73.50
S282	16	16	3	43.00	48.00	51.00	92.00	78.00	73.50
S283	46	46	3	43.00	48.00	51.00	92.00	78.00	73.50
S284	17	17	3	43.00	48.00	51.00	92.00	78.00	73.50
S285	16	16	3	43.00	48.00	51.00	92.00	78.00	73.50
S286	39	39	3	43.00	48.00	51.00	92.00	78.00	73.50
S287	39	39	3	43.00	48.00	51.00	92.00	78.00	73.50
S288	18	18	3	43.00	48.00	51.00	92.00	78.00	73.50
S289	46	46	3	43.00	48.00	51.00	92.00	78.00	73.50

- NOTES: 1. SHELL BACK ONLY
 2. SHELL BACK, SOLID BACK AT ADDITIONAL COST
 3. SOLID BACK ONLY, NO ADDITIONAL COST
 4. NO EXTRA CHARGE FOR COLOR SEAL

* - DELUXE FINISHES
 X - NOT PICTURED

(914) 948-4619
 www.smithwarren.com



MODEL NO	PG. NO. 85A	PG. NO. 85	NOTES	NICKEL	RHODIUM	GOLD	COTE D'OR *	TWO TONE *	SIL-RAY* or GOL-RAY *	MODEL NO	PG. NO. 85A	PG. NO. 85	NOTES	NICKEL	RHODIUM	GOLD	COTE D'OR *	TWO TONE *	SIL-RAY* or GOL-RAY *
S290	42	42	3	43.00	48.00	51.00	92.00	78.00	73.50	S511R	8	8	3	100.00	108.00	112.00	162.00	136.00	132.00
S291	46	46	3	43.00	48.00	51.00	92.00	78.00	73.50	S512	11	11	3	66.00	72.50	75.50	126.00	113.00	103.00
S292	38	38	3	43.00	48.00	51.00	92.00	78.00	73.50	S513	29	29	3	86.50	94.00	101.00	152.00	131.00	127.00
S293	38	38	3	43.00	48.00	51.00	92.00	78.00	73.50	S513A	29	29	3	86.50	94.00	101.00	152.00	131.00	127.00
S294	46	46	3	43.00	48.00	51.00	92.00	78.00	73.50	S513AR	X	X	3	100.00	108.00	112.00	162.00	136.00	132.00
S295	7	7	3	43.00	48.00	51.00	92.00	78.00	73.50	S513R	29	29	3	100.00	108.00	112.00	162.00	136.00	132.00
S295A	4	4	3	43.00	48.00	51.00	92.00	78.00	73.50	S514	4	4	3	86.50	94.00	101.00	152.00	131.00	127.00
S295B	19	19	3	43.00	48.00	51.00	92.00	78.00	73.50	S514A	4	4	3	86.50	94.00	101.00	152.00	131.00	127.00
S296	44	44	3	43.00	48.00	51.00	92.00	78.00	73.50	S514B	4	4	3	86.50	94.00	101.00	152.00	131.00	127.00
S298	46	46	3	43.00	48.00	51.00	92.00	78.00	73.50	S514C	4	4	3	86.50	94.00	101.00	152.00	131.00	127.00
S299	41	41	3	43.00	48.00	51.00	92.00	78.00	73.50	S514F	36A		3	86.50	94.00	101.00	152.00	131.00	127.00
S300	18	18	3	43.00	48.00	51.00	92.00	78.00	73.50	S517	45	45	3	86.50	94.00	101.00	152.00	131.00	127.00
S301	13	13	3	43.00	48.00	51.00	92.00	78.00	73.50	S518	25	25	3	86.50	94.00	101.00	152.00	131.00	127.00
S302	46	46	3	43.00	48.00	51.00	92.00	78.00	73.50	S518A	25	25	3	86.50	94.00	101.00	152.00	131.00	127.00
S303	41	41	3	43.00	48.00	51.00	92.00	78.00	73.50	S518AR	X		3	100.00	108.00	112.00	162.00	136.00	132.00
S305NJ	41	41	3	43.00	48.00	51.00	92.00	78.00	73.50	S518B	X		3	86.50	94.00	101.00	152.00	131.00	127.00
S305NY	41	41	3	43.00	48.00	51.00	92.00	78.00	73.50	S518R	25	25	3	100.00	108.00	112.00	162.00	136.00	132.00
S306	41	41	3	43.00	48.00	51.00	92.00	78.00	73.50	S519	25	25	3	100.00	108.00	112.00	162.00	136.00	132.00
S307	13	13	3	43.00	48.00	51.00	92.00	78.00	73.50	S519A	25	25	3	100.00	108.00	112.00	162.00	136.00	132.00
S308	41	41	3	43.00	48.00	51.00	92.00	78.00	73.50	S520	28	28	3	66.00	72.50	75.50	126.00	113.00	103.00
S309	15	15	3	43.00	48.00	51.00	92.00	78.00	73.50	S521	45	45	3	79.00	82.00	85.00	137.00	124.00	118.00
S310	17	17	3	43.00	48.00	51.00	92.00	78.00	73.50	S521A	45	45	3	100.00	108.00	112.00	162.00	136.00	132.00
S311	18	18	3	49.50	57.50	63.00	114.00	94.00	88.00	S522	8	8	3	86.50	94.00	101.00	152.00	131.00	127.00
S313	44	44	3	43.00	48.00	51.00	92.00	78.00	73.50	S522A	8		3	100.00	108.00	112.00	162.00	136.00	132.00
S325	29	29	3	67.00	72.50	75.50	126.00	112.50	102.00	S522C	36H		3	86.50	94.00	101.00	152.00	131.00	127.00
S325A	29	29	3	79.00	82.00	85.00	137.00	124.00	118.00	S522D	X		3	86.50	94.00	101.00	152.00	131.00	127.00
S325AR	X	X	3	100.00	108.00	112.00	162.00	136.00	132.00	S522E	X		3	100.00	108.00	112.00	162.00	136.00	132.00
S325R	29	29	3	100.00	108.00	112.00	162.00	136.00	132.00	S522R	X		3	100.00	108.00	112.00	162.00	136.00	132.00
S500	36	36	3	59.00	65.00	72.50	121.00	103.00	95.50	S523	25	25	3	62.00	66.00	73.50	124.00	106.50	102.00
S500A	36	36	3	49.50	57.50	63.00	114.00	94.00	88.00	S523A	25	25	3	62.00	66.00	73.50	124.00	106.50	102.00
S501	36	36	3	59.00	65.00	72.50	121.00	103.00	95.50	S523B	25	25	3	62.00	66.00	73.50	124.00	106.50	102.00
S501A	36	36	3	49.50	57.50	63.00	114.00	94.00	88.00	S524	X	X	3	59.00	65.00	72.50	121.00	103.00	95.50
S502	36	36	3	59.00	65.00	72.50	121.00	103.00	95.50	S524E	33	33	3	62.00	66.00	73.50	124.00	106.50	102.00
S502A	X		3	59.00	65.00	72.50	121.00	103.00	95.50	S525	12	12	3	86.50	94.00	101.00	152.00	131.00	127.00
S503	45	45	3	86.50	94.00	101.00	152.00	131.00	127.00	S525A	12	12	3	86.50	94.00	101.00	152.00	131.00	127.00
S503***	45		3	86.50	94.00	101.00	152.00	131.00	127.00	S525B	12	12	3	86.50	94.00	101.00	152.00	131.00	127.00
S503A	X		3	86.50	94.00	101.00	152.00	131.00	127.00	S525C	X		3	86.50	94.00	101.00	152.00	131.00	127.00
S503B	X		3	86.50	94.00	101.00	152.00	131.00	127.00	S525TX	X	X	3	100.00	108.00	112.00	162.00	136.00	132.00
S503C	X		3	84.00	90.00	94.00	144.00	117.50	114.00	S526	X	X	2	100.00	108.00	112.00	162.00	136.00	132.00
S503FL	X		3	86.50	94.00	101.00	152.00	131.00	127.00	S527	21	21	3	66.00	72.50	75.50	126.00	113.00	103.00
S503SC	X		3	86.50	94.00	101.00	152.00	131.00	127.00	S527A	21	21	3	66.00	72.50	75.50	126.00	113.00	103.00
S503TX	X		3	86.50	94.00	101.00	152.00	131.00	127.00	S527AE	X	X	3	79.00	82.00	85.00	137.00	124.00	118.00
S504	37	37	3	59.00	65.00	72.50	121.00	103.00	95.50	S527AUS	X		3	66.00	72.50	75.50	126.00	113.00	103.00
S505	X	X	3	52.00	58.00	64.50	115.00	95.00	91.00	S527BE	X		3	86.50	94.00	101.00	152.00	131.00	127.00
S506	34	34	3	59.00	65.00	72.50	121.00	103.00	95.50	S527E	21	21	3	79.00	82.00	85.00	137.00	124.00	118.00
S506A	36H	X	3	52.00	58.00	64.50	115.00	95.00	91.00	S528	19	19	2	51.50	57.50	64.00	115.00	94.00	89.50
S506B	X		3	52.00	58.00	64.50	115.00	95.00	91.00	S528EO	X		2	51.50	57.50	64.00	115.00	94.00	89.50
S507	14	14	3	86.50	94.00	101.00	152.00	131.00	127.00	S529	37	37	3	66.00	72.50	75.50	126.00	113.00	103.00
S507A	X	X	3	86.50	94.00	101.00	152.00	131.00	127.00	S529AR	X		3	100.00	108.00	112.00	162.00	136.00	132.00
S507B	X		3	86.50	94.00	101.00	152.00	131.00	127.00	S529R	37		3	100.00	108.00	112.00	162.00	136.00	132.00
S510	32	32	3	86.50	94.00	101.00	152.00	131.00	127.00	S530	X	X	3	52.00	58.00	64.50	115.00	95.00	91.00
S510R	X		3	100.00	108.00	112.00	162.00	136.00	132.00	S531	28	28	3	86.50	94.00	101.00	152.00	131.00	127.00
S511	8	8	3	100.00	108.00	112.00	162.00	136.00	132.00	S532	21	21	3	67.00	72.50	75.50	126.00	112.50	102.00
S511A	8	8	3	100.00	108.00	112.00	162.00	136.00	132.00	S532A	21	21	3	86.50	94.00	101.00	152.00	131.00	127.00

NOTES: 1. SHELL BACK ONLY
2. SHELL BACK, SOLID BACK AT ADDITIONAL COST
3. SOLID BACK ONLY, NO ADDITIONAL COST
4. NO EXTRA CHARGE FOR COLOR SEAL

* - DELUXE FINISHES
X - NOT PICTURED

(914) 948-4619
www.smithwarren.com



MODEL NO	PG. NO. 85A	PG. NO. 85	NOTES	NICKEL	RHODIUM	GOLD	COTE D'OR *	TWO TONE *	SIL-RAY* or GOL-RAY *	MODEL NO	PG. NO. 85A	PG. NO. 85	NOTES	NICKEL	RHODIUM	GOLD	COTE D'OR *	TWO TONE *	SIL-RAY* or GOL-RAY *
----------	-------------	------------	-------	--------	---------	------	-------------	------------	-----------------------	----------	-------------	------------	-------	--------	---------	------	-------------	------------	-----------------------

S533	50	50	3	59.00	65.00	72.50	121.00	103.00	95.50
S534	26	26	3	62.00	66.00	73.50	124.00	106.50	102.00
S534E	26	26	3	67.00	72.50	75.50	126.00	112.50	102.00
S534UD	X		3	62.00	66.00	73.50	124.00	106.50	102.00
S534UDE	X		3	67.00	72.50	75.50	126.00	112.50	102.00
S535	26	26	3	62.00	66.00	73.50	124.00	106.50	102.00
S536	4	4	2	86.50	94.00	101.00	152.00	131.00	127.00
S536A	4	4	2	86.50	94.00	101.00	152.00	131.00	127.00
S536B	4	4	2	86.50	94.00	101.00	152.00	131.00	127.00
S536BR	X	X	2	100.00	108.00	112.00	162.00	136.00	132.00
S536C	36B		2	86.50	94.00	101.00	152.00	131.00	127.00
S536E	36B		2	100.00	108.00	112.00	162.00	136.00	132.00
S536R	4	4	2	100.00	108.00	112.00	162.00	136.00	132.00
S536TR	X		2	100.00	108.00	112.00	162.00	136.00	132.00
S537	14	14	3	59.00	65.00	72.50	121.00	103.00	95.50
S538	27	27	3	59.00	65.00	72.50	121.00	103.00	95.50
S540	22	22	3	47.50	56.00	60.00	112.00	93.00	84.50
S540A	X		3	47.50	56.00	60.00	112.00	93.00	84.50
S541	X	X	3	62.00	66.00	73.50	124.00	106.50	102.00
S542	36G	X	3	59.00	65.00	72.50	121.00	103.00	95.50
S542A	X	X	3	59.00	65.00	72.50	121.00	103.00	95.50
S543	36G	X	3	52.00	58.00	64.50	115.00	95.00	91.00
S544	36E	X	3	86.50	94.00	101.00	152.00	131.00	127.00
S544E	X	X	3	86.50	94.00	101.00	152.00	131.00	127.00
S545	36G	X	1	59.00	65.00	72.50	121.00	103.00	95.50
S546	36A	X	3	59.00	65.00	72.50	121.00	103.00	95.50
S547	36D	X	3	66.00	72.50	75.50	126.00	113.00	103.00
S547E	X		3	79.00	82.00	85.00	137.00	124.00	118.00
S548	36G	X	3	59.00	65.00	72.50	121.00	103.00	95.50
S549	36D	X	3	31.50	34.00	35.00	73.00	62.00	56.00
S550	36H	X	3	66.00	72.50	75.50	126.00	113.00	103.00
S551	36E	X		59.00	65.00	72.50	121.00	103.00	95.50
S552	36G	X		43.00	48.00	51.00	92.00	78.00	73.50
S553	36D	X	3	49.50	57.50	63.00	114.00	94.00	88.00
S554	8	X	3	86.50	94.00	101.00	152.00	131.00	127.00
S555	36B	X	3	86.50	94.00	101.00	152.00	131.00	127.00
S555A	36B		3	86.50	94.00	101.00	152.00	131.00	127.00
S555B	36B		3	86.50	94.00	101.00	152.00	131.00	127.00
S555D	X		3	86.50	94.00	101.00	152.00	131.00	127.00
S555G	X		3	86.50	94.00	101.00	152.00	131.00	127.00
S555R	X		3	100.00	108.00	112.00	162.00	136.00	132.00
S555T	X		3	86.50	94.00	101.00	152.00	131.00	127.00
S555TR	X		3	100.00	108.00	112.00	162.00	136.00	132.00
S556	36A	X	3	66.00	72.50	75.50	126.00	113.00	103.00
S556R	X		1	84.00	90.00	94.00	144.00	117.50	114.00
S557	36A	X	3	66.00	72.50	75.50	126.00	113.00	103.00
S557R	X		3	84.00	90.00	94.00	144.00	117.50	114.00
S558	36G	X	3	59.00	65.00	72.50	121.00	103.00	95.50
S559	36D	X	3	62.00	66.00	73.50	124.00	106.50	102.00
S559A	36D		3	86.50	94.00	101.00	152.00	131.00	127.00
S560	36A	X	3	66.00	72.50	75.50	126.00	113.00	103.00
S561	36C	X	3	66.00	72.50	75.50	126.00	113.00	103.00
S561A	36C		3	59.00	65.00	72.50	121.00	103.00	95.50
S562	36H	X	3	47.50	56.00	60.00	112.00	93.00	84.50

S563	36D		3	67.00	72.50	75.50	126.00	112.50	102.00
S563A	X		3	86.50	94.00	101.00	152.00	131.00	127.00
S564	X		3	86.50	94.00	101.00	152.00	131.00	127.00
S565	X		3	86.50	94.00	101.00	152.00	131.00	127.00
S566	8		3	43.00	48.00	51.00	92.00	78.00	73.50
S567	36G		3	59.00	65.00	72.50	121.00	103.00	95.50
S568	X		3	52.00	58.00	64.50	115.00	95.00	91.00
S569	36G		3	49.50	57.50	63.00	114.00	94.00	88.00
S570	X		3	66.00	72.50	75.50	126.00	113.00	103.00
S570A	X		3	86.50	94.00	101.00	152.00	131.00	127.00
S570B	36D		3	86.50	94.00	101.00	152.00	131.00	127.00
S570C	X		3	86.50	94.00	101.00	152.00	131.00	127.00
S571	36E		3	66.00	72.50	75.50	126.00	113.00	103.00
S572	36G		3	59.00	65.00	72.50	121.00	103.00	95.50
S573	X		3	66.00	72.50	75.50	126.00	113.00	103.00
S574	X		3	66.00	72.50	75.50	126.00	113.00	103.00
S574A	36F		3	86.50	94.00	101.00	152.00	131.00	127.00
S574B	36F		3	86.50	94.00	101.00	152.00	131.00	127.00
S575	X		3	59.00	65.00	72.50	121.00	103.00	95.50
S576	X		3	59.00	65.00	72.50	121.00	103.00	95.50
S577	36F		3	86.50	94.00	101.00	152.00	131.00	127.00
S577A	X		3	86.50	94.00	101.00	152.00	131.00	127.00
S577B	X		3	86.50	94.00	101.00	152.00	131.00	127.00
S577C	X		3	86.50	94.00	101.00	152.00	131.00	127.00
S578	36F		3	86.50	94.00	101.00	152.00	131.00	127.00
S579	36D		3	67.00	72.50	75.50	126.00	112.50	102.00
S580	36D		3	49.50	57.50	63.00	114.00	94.00	88.00
S581	X		3	67.00	72.50	75.50	126.00	112.50	102.00
S582	36H		3	86.50	94.00	101.00	152.00	131.00	127.00
S583	36H		3	86.50	94.00	101.00	152.00	131.00	127.00
S584	X		1	47.50	56.00	60.00	112.00	93.00	84.50
S585	36A		3	43.00	48.00	51.00	92.00	78.00	73.50
S586	X		1	86.50	94.00	101.00	152.00	131.00	127.00
S586A	X		1	86.50	94.00	101.00	152.00	131.00	127.00
S586B	X		3	86.50	94.00	101.00	152.00	131.00	127.00
S586C	X		1	86.50	94.00	101.00	152.00	131.00	127.00
S586R	X		1	100.00	108.00	112.00	162.00	136.00	132.00
S587	X		3	59.00	65.00	72.50	121.00	103.00	95.50
S588	X		3	59.00	65.00	72.50	121.00	103.00	95.50
S589	X		3	62.00	66.00	73.50	124.00	106.50	102.00
S589E	X		3	67.00	72.50	75.50	126.00	112.50	102.00
S589UD	X		3	62.00	66.00	73.50	124.00	106.50	102.00
S589UDE	X		3	67.00	72.50	75.50	126.00	112.50	102.00
S590	X		3	66.00	72.50	75.50	126.00	113.00	103.00
S591	X		3	66.00	72.50	75.50	126.00	113.00	103.00
S591A	X		3	86.50	94.00	101.00	152.00	131.00	127.00
S592	X		3	66.00	72.50	75.50	126.00	113.00	103.00
S593	X		3	66.00	72.50	75.50	126.00	113.00	103.00
S593A	X		3	86.50	94.00	101.00	152.00	131.00	127.00
S593B	X		3	86.50	94.00	101.00	152.00	131.00	127.00
S593C	X		3	86.50	94.00	101.00	152.00	131.00	127.00
S594	X		3	86.50	94.00	101.00	152.00	131.00	127.00
S595	X		3	59.00	65.00	72.50	121.00	103.00	95.50
S596	X		3	49.50	57.50	63.00	114.00	94.00	88.00

- NOTES: 1. SHELL BACK ONLY
2. SHELL BACK, SOLID BACK AT ADDITIONAL COST
3. SOLID BACK ONLY, NO ADDITIONAL COST
4. NO EXTRA CHARGE FOR COLOR SEAL

* - DELUXE FINISHES
X - NOT PICTURED

(914) 948-4619
www.smithwarren.com



MODEL NO	PG. NO. 85A	PG. NO. 85	NOTES	NICKEL	RHODIUM	GOLD	COTE D'OR *	TWO TONE *	SIL-RAY* or GOL-RAY *	MODEL NO	PG. NO. 85A	PG. NO. 85	NOTES	NICKEL	RHODIUM	GOLD	COTE D'OR *	TWO TONE *	SIL-RAY* or GOL-RAY *
----------	-------------	------------	-------	--------	---------	------	-------------	------------	-----------------------	----------	-------------	------------	-------	--------	---------	------	-------------	------------	-----------------------

S597	X		3	49.50	57.50	63.00	114.00	94.00	88.00
S598	X		3	66.00	72.50	75.50	126.00	113.00	103.00
S599	X		3	100.00	108.00	112.00	162.00	136.00	132.00
S600	X		3	59.00	65.00	72.50	121.00	103.00	95.50
S600A	X		3	67.00	72.50	75.50	126.00	112.50	102.00
S604A	X	X	3	100.00	108.00	112.00	162.00	136.00	132.00
S605	27	27	3	67.00	72.50	75.50	126.00	112.50	102.00
S606	31	31	3	67.00	72.50	75.50	126.00	112.50	102.00
S607	24	24	3	67.00	72.50	75.50	126.00	112.50	102.00
S608	29	29	3	67.00	72.50	75.50	126.00	112.50	102.00
S609	X	X	3	62.00	66.00	73.50	124.00	106.50	102.00
S609B	X		3	59.00	65.00	72.50	121.00	103.00	95.50
S609REV	36D	X	3	62.00	66.00	73.50	124.00	106.50	102.00
S610	X	X	3	122.00	123.00	123.00	175.00	151.50	148.00
S611	23	23	3	67.00	72.50	75.50	126.00	112.50	102.00
S612	X	X	3	106.00	108.50	111.50	143.00	130.00	122.00
S614	22	22	3	86.50	94.00	101.00	152.00	131.00	127.00
S615	22	22	3	67.00	72.50	75.50	126.00	112.50	102.00
S616	24	24	3	86.50	94.00	101.00	152.00	131.00	127.00
S617	24	24	3	86.50	94.00	101.00	152.00	131.00	127.00
S618	24	24	3	67.00	72.50	75.50	126.00	112.50	102.00
S619	7	7	3	49.50	57.50	63.00	114.00	94.00	88.00
S620	22	22	3	62.00	66.00	73.50	124.00	106.50	102.00
S621	31	31	3	67.00	72.50	75.50	126.00	112.50	102.00
S622	24	24	3	67.00	72.50	75.50	126.00	112.50	102.00
S623	X		3	84.00	90.00	94.00	144.00	117.50	114.00
S623BE	X		3	84.00	90.00	94.00	144.00	117.50	114.00
S623E	X		3	84.00	90.00	94.00	144.00	117.50	114.00
S624	X		3	31.50	34.00	35.00	73.00	62.00	56.00
S626	X		3	100.00	108.00	112.00	162.00	136.00	132.00
S626A	X		3	86.50	94.00	101.00	152.00	131.00	127.00
S626AP	X		3	86.50	94.00	101.00	152.00	131.00	127.00
S626P	X		3	100	108	112	162	136	132
S627	X		1	51.5	57.5	64	115	94	89.5
S628	X		3	62	66	73.5	124	106.5	102

S629	X		3	43.00	48.00	51.00	92.00	78.00	73.50
S630	X		3	66.00	72.50	75.50	126.00	113.00	103.00
S631	X		3	66.00	72.50	75.50	126.00	113.00	103.00
S631A	X		3	66.00	72.50	75.50	126.00	113.00	103.00
S632	X		3	66.00	72.50	75.50	126.00	113.00	103.00
S632E	X		3	84.00	90.00	94.00	144.00	117.50	114.00
SB830	13	13	3	59.00	65.00	72.50	121.00	103.00	95.50
SB830EO	13	13	3	59.00	65.00	72.50	121.00	103.00	95.50
SB1008	X		3	52.00	58.00	64.50	115.00	95.00	91.00
SB1901	36C		2	86.50	94.00	101.00	152.00	131.00	127.00
SB1901A	36C		2	86.50	94.00	101.00	152.00	131.00	127.00
SB1901AR	X		2	100.00	108.00	112.00	162.00	136.00	132.00
SB1901B	X		2	86.50	94.00	101.00	152.00	131.00	127.00
SB1901C	X		2	86.50	94.00	101.00	152.00	131.00	127.00
SB1901H	36C		2	86.50	94.00	101.00	152.00	131.00	127.00
SB1901HR	X		2	100.00	108.00	112.00	162.00	136.00	132.00
SB1901R	X		2	100.00	108.00	112.00	162.00	136.00	132.00
SB1901T	X		2	86.50	94.00	101.00	152.00	131.00	127.00
SB1901TR	X		2	100.00	108.00	112.00	162.00	136.00	132.00
SB1902	36C		2	86.50	94.00	101.00	152.00	131.00	127.00
SB1902A	X		2	86.50	94.00	101.00	152.00	131.00	127.00
SB1902BR	X			100.00	108.00	112.00	162.00	136.00	132.00
SB1902H	36C		2	86.50	94.00	101.00	152.00	131.00	127.00
SB1902R	X		2	100.00	108.00	112.00	162.00	136.00	132.00
SB1902TR	X		2	100.00	108.00	112.00	162.00	136.00	132.00
SB1911	36B		3	86.50	94.00	101.00	152.00	131.00	127.00
SB1911R	36C		3	86.50	94.00	101.00	152.00	131.00	127.00
SB1914R	X		3	86.50	94.00	101.00	152.00	131.00	127.00
SB2512	41	41	3	43.00	48.00	51.00	92.00	78.00	73.50
SUFE	56	56		12.50	14.50	16.00	26.00		19.00
SWB101	60	60	3	86.50	94.00	101.00	152.00	131.00	127.00
SWB102	60	60	3	86.50	94.00	101.00	152.00	131.00	127.00

NOTES: 1. SHELL BACK ONLY
2. SHELL BACK, SOLID BACK AT ADDITIONAL COST
3. SOLID BACK ONLY, NO ADDITIONAL COST
4. NO EXTRA CHARGE FOR COLOR SEAL

* - DELUXE FINISHES
X - NOT PICTURED

(914) 948-4619
www.smithwarren.com



SMITH & WARREN®

Built With Care. Worn With Pride.

CUSTOM COLLAR BRASS

Priced Per Piece, Not Per Pair

Custom Cutout Letter Combinations, Page 65, Catalog 85

3 SIZES AVAILABLE: C501S - 3/8" high, C501M - 1/2" high, C501L - 9/16" high

NO. OF DIGITS	NICKEL	RHODIUM	GOLD
1	\$7.60	\$ 7.90	\$ 7.90
2	\$8.60	\$ 9.80	\$ 9.80
3	\$9.50	\$ 10.30	\$ 10.30
4	\$10.40	\$ 11.50	\$ 11.50
5	\$11.50	\$12.50	\$12.50
Each Add'l. Letter	\$3.20	\$3.20	\$3.20

- NOTES: 1) All Collar Insignia are supplied with your choice of Clutch or Screw Back attachment
 2) Add \$4.00 for Pin & Safety Catch attachment
 3) 5% discount for orders over 100 pairs

LEATHER ACCESSORIES

MODEL	DESCRIPTION	Pg. No.	Pg. No. 85	PRICE
BC101	Tri-fold Wallet	68	54	\$52.50
BC105	Credit Card Wallet	68	54	\$52.50
BC108	Dress ID Case	68	54	\$30.00
BC108PH	Magnetic Recessed Badge & Nameplate Case	67	48G	\$52.50
BC110	Bi-fold Wallet	68	54	\$40.00
BC153	Recessed ID Case	68	54	\$30.00
BC159M	Mini Key Ring Case	69	55	\$10.00
BC160W	Billfold Recessed Wallet	68	54	\$52.50
BC705	Badge/ID Holder w/Neck Chain (No Recess)	68	54	\$23.00
BC706	Recessed Badge and ID Holder w/Neck Chain	68	54	\$30.00
BC809	Citation Bar Holder (Specify no. of positions)	69	55	\$ 6.50
BC-KF	Key Fob	69	55	\$10.50
BH2	Velcro Belt Clip Holder (no recess)	68	X	\$20.00
BH3V	Round Velcro Belt Clip Holder (no recess)	68	X	\$20.00
BH716-O	Oval Recessed Belt Clip Holder	68	X	\$30.00
BH716-R	Round Recessed Belt Clip Holder	68	X	\$30.00
Foil Lettering (Standard Titles)		Add \$4.50		
Custom Foil Lettering Die Cost		Call for pricing		
Note: 180 Leather Styles and Pricing Available on our Web-Site				

OTHER ACCESSORIES

MODEL	DESCRIPTION	Pg. No.	Pg. No.	PRICE
C608SV	V-Shape Badge Stand (Clear or Black)	69	69	\$ 3.00
C609/A	Lucite Pocket Holder	69	69	\$ 10.30
K9TAG	K9 Tag (badge additional)	69	69	\$13.50
K9DL	K9 Dog Loop (badge additional)	69	69	\$ 8.30
M1603	Cap Strap (specify silver or gold)	69	69	\$15.50
M1603FD	FD Cap Strap Button (specify silver or gold)	X	X	\$8.30 /pair
M1603PD	PD Cap Strap Button (specify silver or gold)	X	X	\$8.30 /pair
M1604	3/4" Mourning Bands	X	X	\$ 2.00
M1604A	1/2" Mourning Bands	X	X	\$1.80
Challenge Coins (samples shown)		3	3	Quote
Belt Loop (attachment for badge)		X	X	\$15.50
Black or Blue Deluxe Presentation Case (when ordered with medal)		67	67	Add \$11.50

CITATION BARS (Pages 62 and 63)

FINISH	NICKEL	RHODIUM/GOLD	SIL/GOL-RAY	COTE D'OR
Price*	\$14.00	\$16.00	\$19.00	\$22.00

* Add numerals or stars to bar: \$1.80 each digit/star



SMITH & WARREN®

Built With Care. Worn With Pride.

LUCITE EMBEDMENT PRICING

(Catalog 85-A, Pg. 71)

MODEL	SHAPE	WIDTH	HEIGHT	THICKNESS	Retail Price* (clear)	Retail Price* (color bkgd or base)
L705	SQUARE	3.25"	3.25"	1.00"	\$73.00	\$86.00
L706	SQUARE	4.00"	4.00"	1.00"	\$87.00	\$107.00
L714	CIRCLE	3.00"	3.00"	1.00"	\$65.50	\$77.80
L715	CIRCLE	4.00"	4.00"	1.00"	\$79.30	\$99.30
L794	RECTANGLE	3.00"	4.00"	1.00"	\$79.30	\$92.20
L710	RECTANGLE	3.25"	5.00"	1.00"	\$86.00	\$102.50
L711	RECTANGLE	4.00"	5.50"	1.00"	\$102.50	\$131.30
L791	RECTANGLE	5.00"	6.00"	1.00"	\$120.50	\$154.50
L728	WEDGE	3.25"	4.00"	.750" (Top) 1.00" (Bottom)	\$86.00	\$102.50
L729	WEDGE	4.00"	5.50"	.750" (Top) 1.00" (Bottom)	\$111.30	\$131.40
L770	WEDGE	5.50"	6.00"	.750" (Top) 1.00" (Bottom)	\$162.80	\$198.20

Metal Plates: Add \$5.00 for plate + \$0.60 per engraved character (\$15.00 minimum)

Preparation costs for embedment of customer supplied parts: Badges: \$8.50 each

Insignia: \$5.50 each

*Pricing for lucite embedments include a single badge embedded, badges sold separately.

For embedment of multiple badges, custom shapes, and / or special delivery requests, call for quote.

Allow 6 weeks for delivery.

CHALLENGE COINS AND CUSTOM LAPEL PINS

Pricing: Call for Quote

Artwork: Artwork is FREE with coin or pin order. If order is not placed within 60 days the artwork will be invoiced at a rate of \$50.00 per hour. Note: Artwork averages 4 hours to create.

Die Cost: Die cost is included in Net Pricing of the coin or pin. If a prototype is requested and pending order is not placed within 30 days, the die will be invoiced separately.

CUSTOM ARTWORK by SMITH & WARREN®

Rights to Artwork: Artwork created by Smith & Warren® remains the property of Smith & Warren®, and may not be copied, used for commercial purposes or for competitive bidding without the express written consent of Smith & Warren®.

127 Oakley Avenue
White Plains, NY 10601-3903
E-mail: Contact@smithwarren.com

Phone: (914) 948-4619
Fax: (914) 948-1627
Website: www.smithwarren.com



SMITH & WARREN®

Built With Care. Worn With Pride.

Badge and Insignia Finishes

Deluxe Finishes*

These incredibly durable finishes are engineered to never chip, flake, crack, discolor or tarnish by using a combination of thick electroplated layers, high temperature enamels, and cutting edge clear-coat technology. Performance testing data is available upon request.

Sil-Ray™

Heavy Silver tone electroplated layers combined with our extremely hard protective coating produce a brilliant finish that will stand the test of time.

Gol-Ray™

The most durable gold finish, combining heavy electroplated layers of 24K gold with an extremely hard protective clear coat, the result is a gold finish that outshines the competition.

Two-Tone

The best of both worlds, Gol-Ray™ and Sil-Ray™ combine to form a two tone finish that is bright, durable and consistent.

Cote D'Or™

The Ultimate fine gold finish, our thickest layer of 24K gold electroplate and our ultra durable clear coat, provides a presentation quality finish; an excellent choice for awards, gifts and display badges.

*Deluxe Finish Prices include Multi-Color Seal and Hard Enamel Lettering

Standard Finishes

Nickel Electroplate

The most economical silver tone finish, a hard layer of nickel electroplate provides a high degree of durability without a high price, but may lose some luster with age

Rhodium Electroplate

A bright and brilliant silver tone finish that will not tarnish; a great combination of shine and durability.

Gold Electroplate

A pure 24K gold electroplated finish applied over a nickel base provides a gold finish that is tarnish-resistant, but may show some wear over time.



**LIFETIME
WARRANTY**

**All Smith & Warren badges are covered by our
industry-leading Full Lifetime Warranty.**

127 Oakley Avenue
White Plains, NY 10601-3903
E-mail: Contact@smithwarren.com

Phone: (914) 948-4619
Fax: (914) 948-1627
Website: www.smithwarren.com



SMITH & WARREN®

Built With Care. Worn With Pride.

Tel: 914-948-4619

127 Oakley Ave., White Plains, NY 10601

Fax: 914-948-1627

(PLEASE PRINT CLEARLY)

ORDER FORM

Date: ___/___/___

Name: _____

Purchase Order # _____

Street: _____

NOTE: TO PROCESS THIS ORDER, PLEASE SUBMIT TO AN AUTHORIZED SMITH & WARREN DEALER. FOR A DEALER NEAR YOU, PLEASE VISIT OUR DEALER LOCATOR AT WWW.SMITHWARREN.COM

City: _____ St. _____ Zip: _____

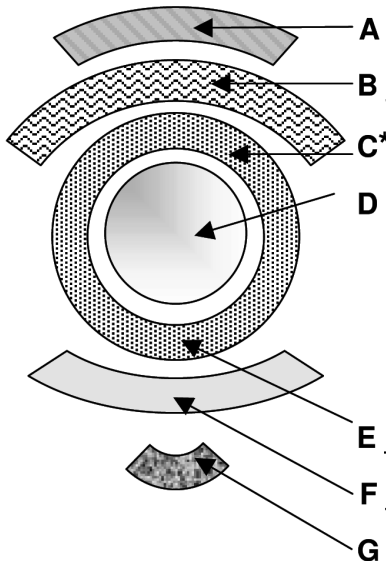
CALL US AT 914-948-4619 OR E-MAIL US AT: dealer@smithwarren.com THANK YOU

Telephone: () - -

1. BADGES:

Model # _____ Qty. _____

(Fill in only those panels which apply)



A _____

B _____

C* _____

D (State or Center Seal #) _____

- Plain
- Blue Enamel Border / One Color
- Multi-Color
- Plain, No Border
- Blue, No Border

E _____

F _____

G _____

SPECIAL INSTRUCTIONS

* TEXT SEPARATORS

(optional) Panels C & E

Hollow Stars ☆

Solid Stars ★

Solid Dots ●

2. METAL FINISH

- Nickel Sil-Ray
- Rhodium Gol-Ray
- Gold Cote D'or

TWO-TONE

- Gold w/ Sil-Ray Panels
- Sil-Ray w/ Gold Panels

3. LETTERING ENAMEL

- Soft Hard

4. FONT

- Block (STANDARD)
- Roman

5. LETTERING COLOR

- Blue Black
- Other: _____

6. BADGE BACK

- Shell Solid

7. ATTACHMENTS

- Pin & Safety Catch
- Clutch Back
- Screw Post
- Lugs
- Money Clip
- Wallet Clip
- Dog Loop
- Chain Loop
- None
- Other: _____

8. SHAPE

- Flat Curved

9. BADGE CASES

Style # _____ Qty. _____

➤ **Standard Finishes** include **NICKEL, RHODIUM** and **GOLD** electroplating. The badge prices include a plain seal (no enamel color) and standard (soft) enamel lettering. Color seals and Hard-Fired lettering are available at additional cost.

➤ **Deluxe Finishes** include **SIL-RAY, GOL-RAY** and **Two-Tone**. All **Deluxe Finish** and **Reverse Enamel** badge prices include **Hard Enamel** lettering and **Multi-Color** seals.

127 Oakley Avenue
White Plains, NY 10601-3903
E-mail: Contact@smithwarren.com

Phone: (914) 948-4619
Fax: (914) 948-1627
Website: www.smithwarren.com



SMITH & WARREN®

Built With Care. Worn With Pride.

The Leading Choice for Quality Badges and Insignia

Badges
Insignia
Medals
Awards

Citation Bars
Collar Bars
Nameplates
Serving Since Bars

Challenge Coins
Lapel Pins
Leather
Lucite Embedments

Contact Information

Visit

www.smithwarren.com

View our entire catalog, see our newest products, locate an Authorized Dealer
Plus

Design your Badge Online with



General Inquiries and Literature requests:

E-mail: contact@smithwarren.com

Phone: 914-948-4619

Fax: 914-948-1627

Write: Smith & Warren

127 Oakley Ave.

White Plains, New York 10601

Fax Machine:

Our fax machine is available 24 hours a day, 365 days a year to receive orders and inquiries. Orders received over a weekend or holiday will be processed on the next business day.

Order Online:

Dealers may now enter and transmit orders online using VisualBadge™. Please contact your account manager or email contact@smithwarren.com to set up your Online Account.

Hours of Operation:

Our office is open from 8:00 a.m. to 5:00 p.m. Our voicemail system will accept messages before and after our regular business hours. Messages may also be transmitted by fax or e-mail at any time.